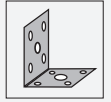




Mounting aid MH 04-3505



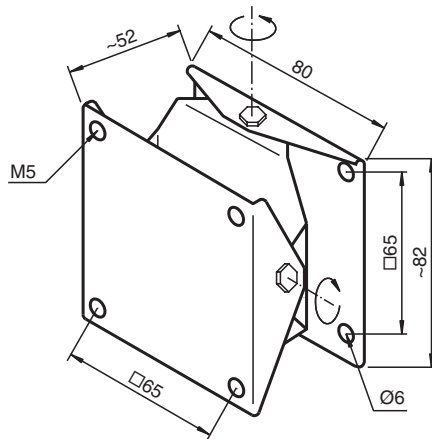
- Suitable for series F42 and FP

Mounting aid for FP and F42 sensors

Function

The mounting aid MH 04-3505 simplifies the adjustment of sensors of the series FP and F42. It permits the fitted and wired sensor to be pivoted in 2 orthogonally related axes by up to $\pm 30^\circ$.

Dimensions



Technical Data

General information

Scope of delivery

- 1 x end plate (with through holes)
- 1 x intermediate plate
- 1 x end plate (with threaded holes)
- 2 x friction washers (plastic)
- 4 x washers (metal)
- 2 x socket cap screws, M5 x 10
- 2 x socket cap screws, M5 x 40