



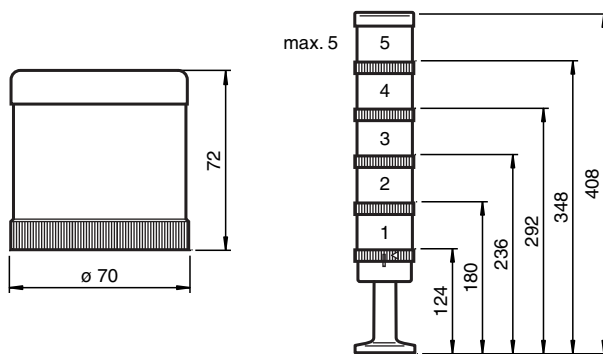
Stack light audible alarm VAZ-HORN1-70MM-85DBA

- Modular design
- Bayonet system for simple mounting and dismounting
- 70-mm-series

Stack light audible alarm



Dimensions



Technical Data

| General specifications | | | |
|--------------------------------------|----------------|--|-------------------------------|
| UL File Number | | | E223176 |
| Color | | | black |
| Frequency | | | 1.75 kHz Duration/pulse |
| Functional safety related parameters | | | |
| MTTF _d | | | 4600 a |
| Electrical specifications | | | |
| Rated operating voltage | U _e | | 24 V AC/DC |
| Rated operating current | I _e | | ≤ 11 mA |
| Inrush current | | | 100 mA (< 50 ms) |
| Ambient conditions | | | |
| Ambient temperature | | | -20 ... 50 °C (-4 ... 122 °F) |
| Mechanical specifications | | | |
| Degree of protection | | | IP65 |
| Connection | | | Bayonet system |
| Life span | | | min. 5000 hours |

Release date: 2022-06-30 Date of issue: 2022-06-30 Filename: 70123959_eng.pdf

Refer to "General Notes Relating to Pepperl+Fuchs Product Information".

Pepperl+Fuchs Group
www.pepperl-fuchs.com



USA: +1 330 486 0001
fa-info@us.pepperl-fuchs.com

Germany: +49 621 776 1111
fa-info@de.pepperl-fuchs.com

Singapore: +65 6779 9091
fa-info@sg.pepperl-fuchs.com

PF PEPPERL+FUCHS

Matching System Components

| | | |
|---|---------------------------|--|
|  | VAZ-CLAMP-70MM-90° | Stack light terminal base with cover plate |
|  | VAZ-70MM-IO | Signal tower connection element IO-Link with cover |