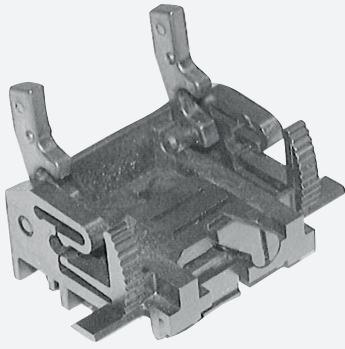


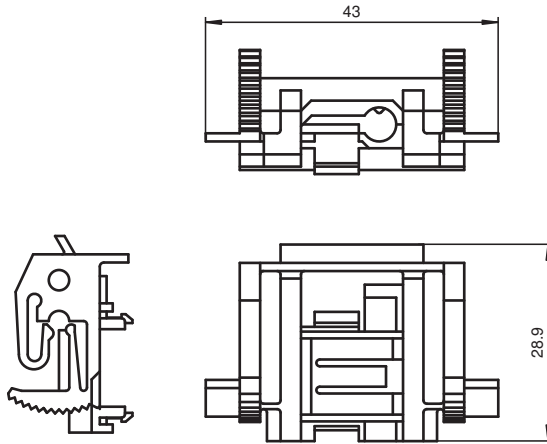
Mounting aid DGE LAGERBOCK AIR16



Pedestal for the sensor module AIR16



Dimensions



Technical Data

Mechanical specifications

Material	plastic
Mass	approx. 5 g
Suitable series	
Series	TopScan

Release date: 2020-09-25 Date of issue: 2020-10-08 Filename: 406730_eng.pdf

Refer to "General Notes Relating to Pepperl+Fuchs Product Information".

Pepperl+Fuchs Group
www.pepperl-fuchs.com

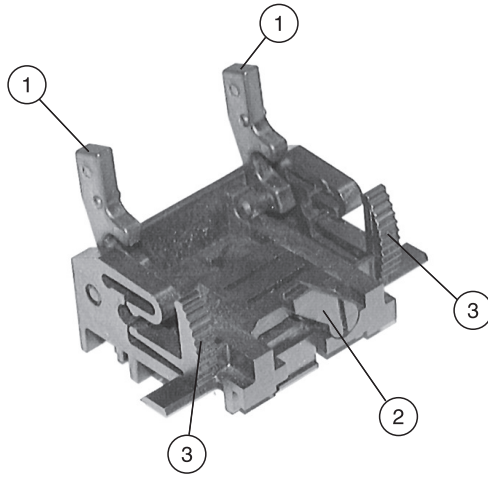
USA: +1 330 486 0001
fa-info@us.pepperl-fuchs.com

Germany: +49 621 776 1111
fa-info@de.pepperl-fuchs.com

Singapore: +65 6779 9091
fa-info@sg.pepperl-fuchs.com

 **PEPPERL+FUCHS**

Assembly



Release date: 2020-09-25 Date of issue: 2020-10-08 Filename: 406730_eng.pdf

Refer to "General Notes Relating to Pepperl+Fuchs Product Information".

Pepperl+Fuchs Group
www.pepperl-fuchs.com

USA: +1 330 486 0001
fa-info@us.pepperl-fuchs.com

Germany: +49 621 776 1111
fa-info@de.pepperl-fuchs.com

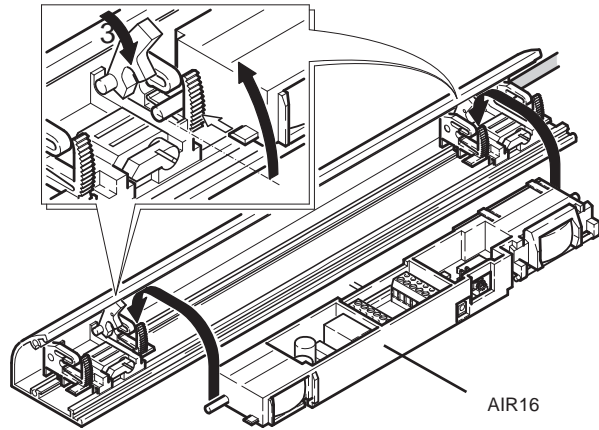
Singapore: +65 6779 9091
fa-info@sg.pepperl-fuchs.com

Assembly

- 1 Locking mechanism for replacing and fastening the AIR16 sensor module
- 2 Locking mechanism for positioning and fastening in the Topscan aluminium profile
- 3 Adjuster for stepless angle adjustment of the sensor monitoring edge

Mounting

Replacing AIR16 sensors for Topscan device



Sensors can be replaced faster and more easily with the locking mechanism on the print holder.

Release date: 2020-09-25 Date of issue: 2020-10-08 Filename: 406730_eng.pdf