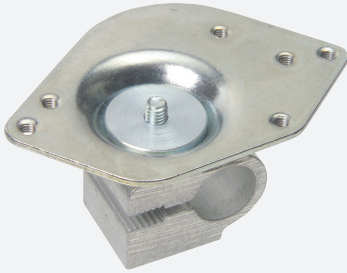
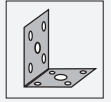


Mounting aid

OMH-01

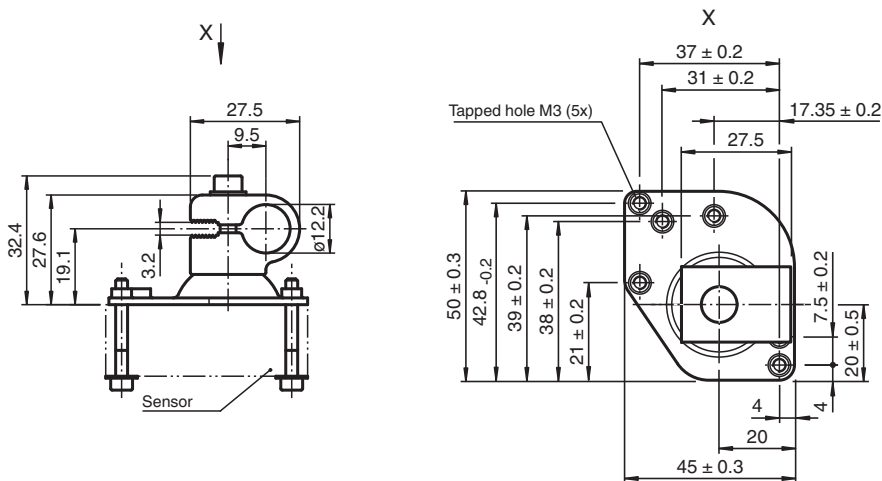
- Bracket for round steel or sheet



Mounting aid for round steel \varnothing 12 mm or sheet 1.5 mm ... 3 mm



Dimensions



Technical Data

Mechanical specifications	
Material	Metal sheet (steel), zinc-plated aluminum
Mass	approx. 50 g
Suitable series	
Series	MLV11 MLV12

Accessories

	OMH-SLCT-12-500	Mounting bracket, muting arm with round rod d=12 mm
--	------------------------	---

Release date: 2020-03-20 Date of issue: 2020-06-29 Filename: 097452_eng.pdf

Refer to "General Notes Relating to Pepperl+Fuchs Product Information".

Pepperl+Fuchs Group
www.pepperl-fuchs.com

USA: +1 330 486 0001
fa-info@us.pepperl-fuchs.com

Germany: +49 621 776 1111
fa-info@de.pepperl-fuchs.com

Singapore: +65 6779 9091
fa-info@sg.pepperl-fuchs.com

PEPPERL+FUCHS