

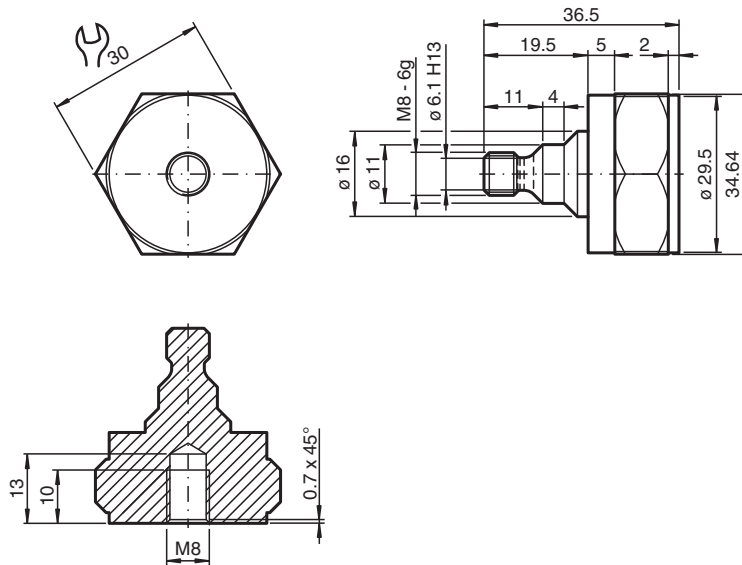
## Mounting adapter

### MONAD-M08-1,25-M08-1,25K/368

- Usable for VIM3\* / VIM6\* vibration sensors with external thread
- Usable for VIM8\* vibration sensors
- Robust due to stainless steel 1.4404 / AISI 316L (V4A)
- Screw-in thread for simple installation

Mounting adapter for VIM3\*/VIM6\*/VIM8\* vibration sensors, internal thread M8 x 1.25 x 10, external thread M8 x 1.25, screw-in depth 19.5

## Dimensions



## Technical Data

### General specifications

|                     |   |
|---------------------|---|
| Suitable components | VIM3* vibration sensors<br>VIM6* vibration sensors<br>VIM8* vibration sensors |
|---------------------|---|

### Mechanical specifications

|                 |                      |
|-----------------|----------------------|
| External thread | for machine mounting |
| Thread type     | metric               |
| Thread size     | M8 x 1.25            |
| Screw-in depth  | 19.5 mm              |
| Internal thread | for sensor mounting  |

**Technical Data**

|               |   |                                    |
|---------------|---|------------------------------------|
| Thread type   |   | metric                             |
| Thread size   |   | M8 x 1.25                          |
| Thread length |   | 10 mm                              |
| Length        | L | 36.5 mm                            |
| Diameter      |   | 34.64 mm                           |
| Material      |   | Stainless steel 1.4404 / AISI 316L |
| Mass          |   | 101 g                              |

Release date: 2022-10-20 Date of issue: 2022-10-20 Filename: 70146793\_eng.pdf

Refer to "General Notes Relating to Pepperl+Fuchs Product Information".

Pepperl+Fuchs Group  
www.pepperl-fuchs.comUSA: +1 330 486 0001  
fa-info@us.pepperl-fuchs.comGermany: +49 621 776 1111  
fa-info@de.pepperl-fuchs.comSingapore: +65 6779 9091  
fa-info@sg.pepperl-fuchs.com **PEPPERL+FUCHS**