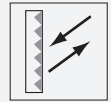




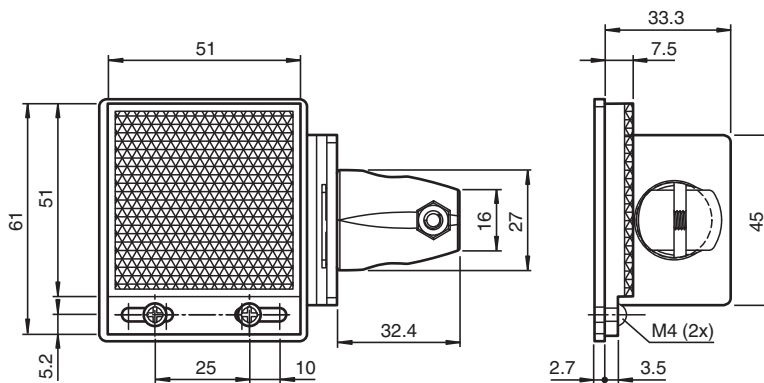
Reflector REF-H50 SET



- Mounting holes for simple installation
- Pre-assembled with metal bracket and clamping cylinder

Reflector, rectangular 51 mm x 61 mm, mounting holes, fixing strap

Dimensions



Technical Data

General specifications

| | |
|----------------------|---|
| Construction type | rectangular |
| Accessories provided | Stainless steel bracket with 2 x M4 x 10 cross-slotted pan head screws , stainless steel (ISO 7045) and 2 x flat washers , Stainless steel A2 , outer diameter: 9 mm, inner diameter: 4.3 mm, thickness: 0.8 mm (ISO 7089) and 2 x external tooth lock washers , Stainless steel A2 , outer diameter: 8 mm, inner diameter: 4.3 mm, thickness: 0.5 mm (DIN 6797, shape A) Clamping cylinder, zinc die-cast (factory pre-assembled) |

Ambient conditions

| | |
|---------------------|-------------------------------|
| Ambient temperature | -20 ... 60 °C (-4 ... 140 °F) |
|---------------------|-------------------------------|

Mechanical specifications

| | |
|------------|------------------------|
| Material | PMMA/ABS |
| Dimensions | 51 mm x 61 mm x 7.5 mm |
| Mounting | mounting holes |

Release date: 2021-06-22 Date of issue: 2021-06-22 Filename: 70105787_eng.pdf

Refer to "General Notes Relating to Pepperl+Fuchs Product Information".

Pepperl+Fuchs Group
www.pepperl-fuchs.com

USA: +1 330 486 0001
fa-info@us.pepperl-fuchs.com

Germany: +49 621 776 1111
fa-info@de.pepperl-fuchs.com

Singapore: +65 6779 9091
fa-info@sg.pepperl-fuchs.com

PF PEPPERL+FUCHS