



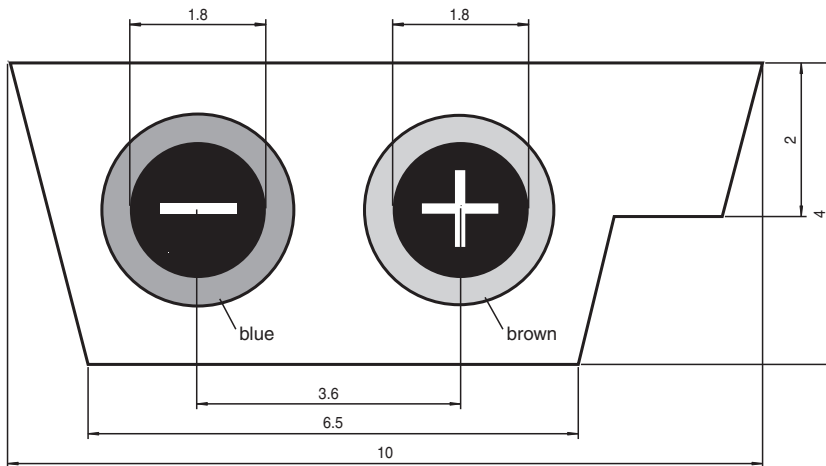
AS-Interface flat cable VAZ-FK-PUR-BK-2,5MM

- Oil resistant
- Cable piercing technique
- Resistant to environmental influence
- Resistant to bending
- Suitable for drag chains and abrasion resistant
- Reverse polarity protected due to the shape of the cable
- halogen-free, flame-proof outer shell on PUR basis

AS-Interface flat cable for external auxiliary voltage up to 24 V



Dimensions



Technical Data

General specifications	
UL File Number	E48408
Electrical specifications	
Nominal voltage	24 V
Current loading capacity	According to DIN VDE 0298 Part 4, Table 6, Column 4
Ambient conditions	
Ambient temperature	-40 ... 80 °C (-40 ... 176 °F)
Mechanical specifications	
Core cross section	Copper, extra-fine wire, class 6 in accordance with DIN VDE 0295 cross-section 2.5 mm ²
Bending radius	min. permissible bend radii in accordance with DIN VDE 0298 Part 3, Table 2 Bending stress only permitted on the wide side of the cable
Tension loading	max. 50 N/mm ² on laying acc. to DIN VDE 0298 Part 3
Material	PUR (TMPU)
Core insulation	TPM
Cable	UL style 20549/10493
Bending radius	> 60 mm
Color	black (similar to RAL 9005)

Release date: 2022-06-17 Date of issue: 2022-06-17 Filename: 70110500_eng.pdf

Refer to "General Notes Relating to Pepperl+Fuchs Product Information".

Pepperl+Fuchs Group
www.pepperl-fuchs.com

USA: +1 330 486 0001
fa-info@us.pepperl-fuchs.com

Germany: +49 621 776 1111
fa-info@de.pepperl-fuchs.com


Singapore: +65 6779 9091
fa-info@sg.pepperl-fuchs.com

PEPPERL+FUCHS

Technical Data

Drag chain suitability		
Motion velocity		max. 3 m/s
Traverse distance		5 m
Acceleration		max. 5 m/s ²
Torsion cycles		min. 500000
Cable length		100 m
Flammability		
Cable		Flame-retardant as per IEC 60332-1

Accessories

	VAZ-FK-ED3	AS-Interface end seal for flat cable
---	-------------------	--------------------------------------