



# RFID Transponder

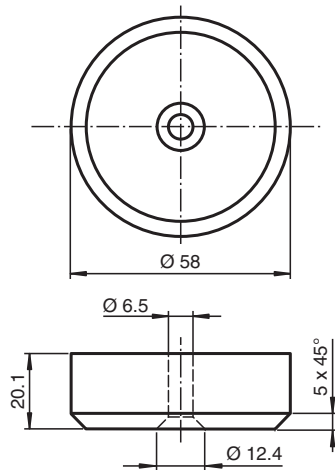
## IQC21-58

- Operating frequency 13.56 MHz
- Conforms to ISO 15693
- 64 bit Fixcode
- 896 bits memory available
- Degree of protection IP67
- Mounting holes for simple installation
- High resistance against water, chemicals, transformer oil, petrol and heating oil

Data carrier



### Dimensions



### Technical Data

General specifications	
Operating frequency	13.56 MHz
Transfer rate	26 kBit/s
Memory	
Chip Type	I-CODE SLI (NXP)
EEPROM	896 Bit
UID	64 Bit
Memory organization	4 bytes/block
Read cycles	unlimited
Write cycles	> 100000
Data retention period	10 years at 55 °C (131 °F)
Directive conformity	
Radio equipment	
Directive 2014/53/EU	EN 300330
RoHS	
Directive 2011/65/EU (RoHS)	IEC/EN 63000
Standard conformity	

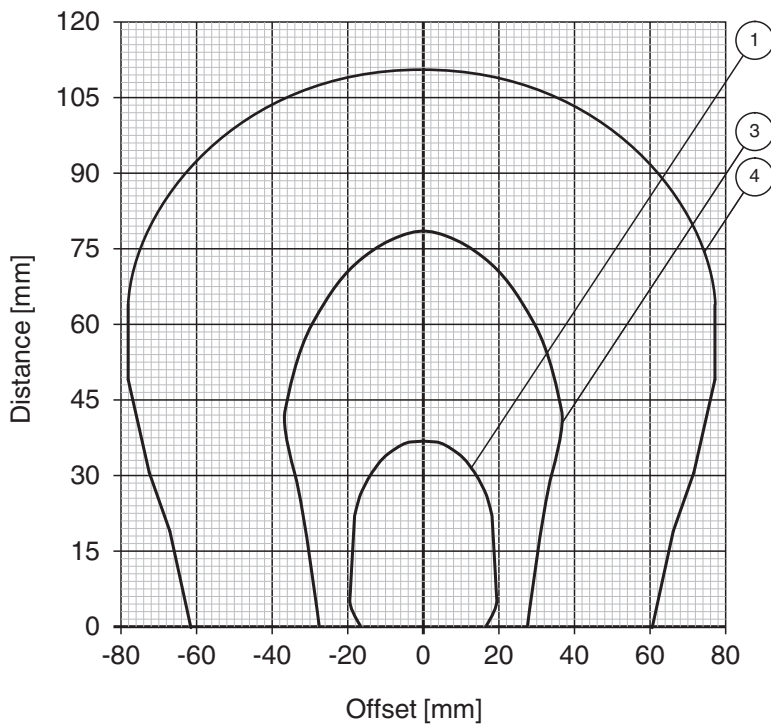
Release date: 2022-12-15 Date of issue: 2022-12-15 Filename: 184884\_eng.pdf

Refer to "General Notes Relating to Pepperl+Fuchs Product Information".

**Technical Data**

Degree of protection	EN 60529
RFID	ISO/IEC 15693-1 ISO/IEC 15693-2 ISO/IEC 15693-3 ISO/IEC 18000-3
<b>Ambient conditions</b>	
Ambient temperature	-25 ... 85 °C (-13 ... 185 °F)
Storage temperature	-25 ... 85 °C (-13 ... 185 °F)
<b>Mechanical specifications</b>	
Housing height	20.1 mm
Housing diameter	58 mm
Degree of protection	IP67
<b>Material</b>	
Housing	ABS
Encapsulation compound	Polyurethane (PUR)
<b>Installation</b>	
On metal	yes
In air	yes
Construction type	Cylindrical

Reading range in air IQC21-58



Release date: 2022-12-15 Date of issue: 2022-12-15 Filename: 184884\_eng.pdf

Refer to "General Notes Relating to Pepperl+Fuchs Product Information".

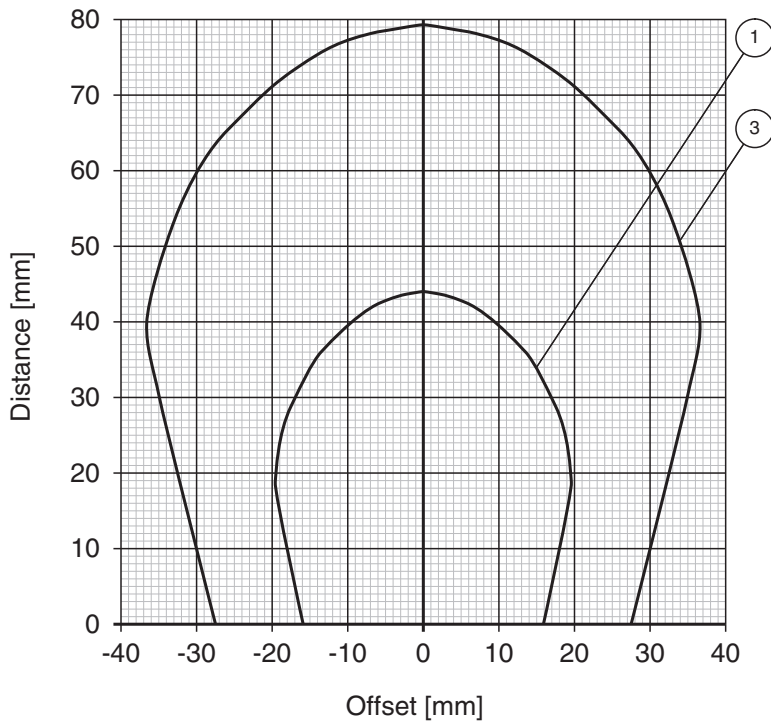
Pepperl+Fuchs Group  
www.pepperl-fuchs.com

USA: +1 330 486 0001  
fa-info@us.pepperl-fuchs.com

Germany: +49 621 776 1111  
fa-info@de.pepperl-fuchs.com

Singapore: +65 6779 9091  
fa-info@sg.pepperl-fuchs.com

Reading range on aluminium IQC21-58



Release date: 2022-12-15 Date of issue: 2022-12-15 Filename: 184884\_eng.pdf

Refer to "General Notes Relating to Pepperl+Fuchs Product Information".

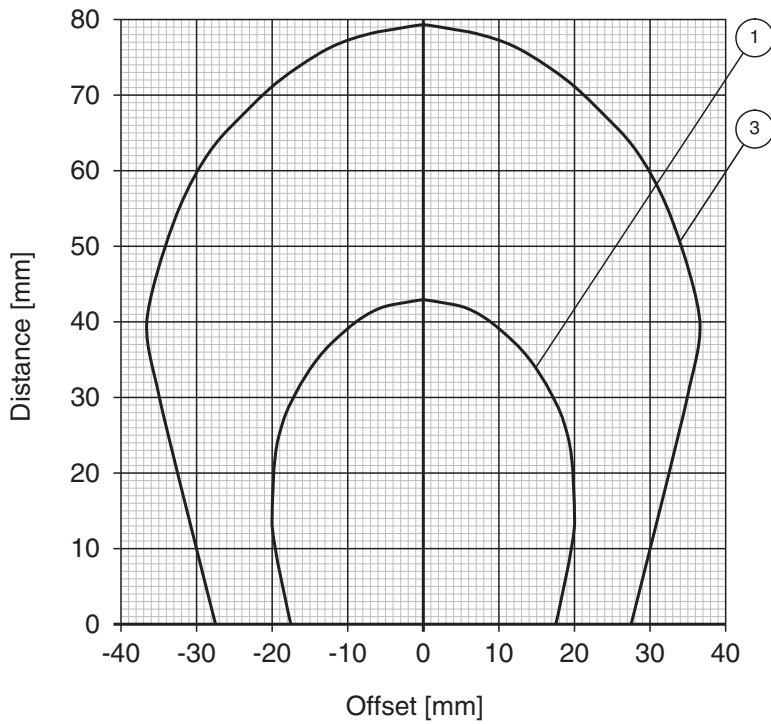
Pepperl+Fuchs Group  
www.pepperl-fuchs.com

USA: +1 330 486 0001  
fa-info@us.pepperl-fuchs.com

Germany: +49 621 776 1111  
fa-info@de.pepperl-fuchs.com

Singapore: +65 6779 9091  
fa-info@sg.pepperl-fuchs.com

Reading range on steel IQC21-58



- ① IQH1-18GM-V1
- ② IQH1-F61-V1
- ③ IQH1-FP-V1
- ④ IQH1-F15-V1

Release date: 2022-12-15 Date of issue: 2022-12-15 Filename: 184884\_eng.pdf

## Mounting

The surface containing the text must face the read/write head.

Release date: 2022-12-15 Date of issue: 2022-12-15 Filename: 184884\_eng.pdf

Refer to "General Notes Relating to Pepperl+Fuchs Product Information".

Pepperl+Fuchs Group  
www.pepperl-fuchs.com

USA: +1 330 486 0001  
fa-info@us.pepperl-fuchs.com

Germany: +49 621 776 1111  
fa-info@de.pepperl-fuchs.com

Singapore: +65 6779 9091  
fa-info@sg.pepperl-fuchs.com

 **PEPPERL+FUCHS**