

Y-Splitter

V15S-YAND-V15/V15

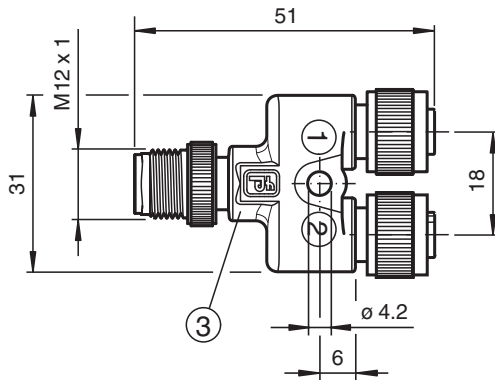


- Logical AND combination of the two sensor signals
- Degree of protection IP67
- UL Recognized Component
- Knurled nut suitable for tool assembly
- Immunity to vibration, with mechanical latching

Y-Splitter M12 plug 5-pin to 2x M12 socket 4-pin A-coded



Dimensions



Technical Data

General specifications	
Connector 1	
Connection	socket
Construction type	M12
Style	straight
Locking	screw connection
Number of pins	4
Coding	A-coded
Connector 2	
Connection	socket
Construction type	M12
Style	straight
Locking	screw connection
Number of pins	4
Coding	A-coded
Connector 3	
Connection	plug

Release date: 2023-06-30 Date of issue: 2023-06-30 Filename: 304591_eng.pdf

Refer to "General Notes Relating to Pepperl+Fuchs Product Information".

Pepperl+Fuchs Group
www.pepperl-fuchs.com

USA: +1 330 486 0001
fa-info@us.pepperl-fuchs.com

Germany: +49 621 776 1111
fa-info@de.pepperl-fuchs.com

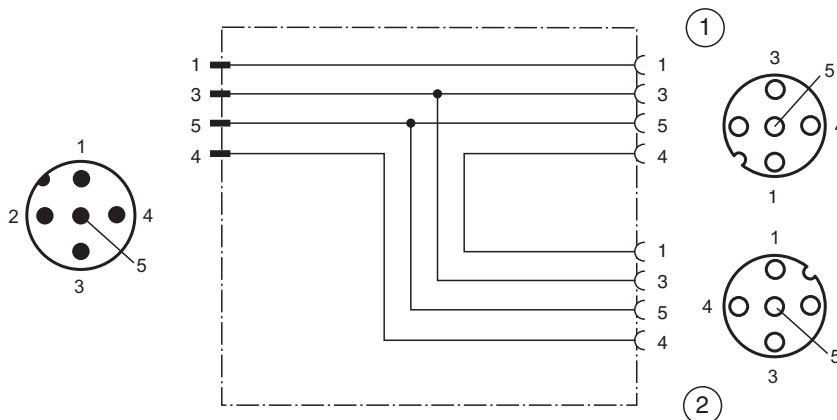
Singapore: +65 6779 9091
fa-info@sg.pepperl-fuchs.com

PEPPERL+FUCHS

Technical Data



Construction type		M12
Style		straight
Locking		screw connection
Number of pins		5
Coding		A-coded
Electrical specifications		
Operating voltage	U _B	max. 48 V AC / 60 V DC
Operating current	I _B	4 A
Conformity		
Degree of protection		EN 60529
Plug connection		connector M12 x 1 : IEC 61076-2-101
Approvals and certificates		
UL approval		UL Recognized General purpose
Maximum permissible operating voltage		max. 30 V
Maximum permissible ambient temperature		max. 80 °C (max. 176 °F)
UL File Number		E231213
Ambient conditions		
Ambient temperature		-25 ... 90 °C (-13 ... 194 °F)
Pollution degree		3
Mechanical specifications		
Plug connector		
Tightening torque		0.6 Nm
Loosening protection		available
Tool installation		straight knurling
Mating cycles		min. 100
Degree of protection		IP65/IP67
Mounting		Mounting hole for M4 screw
Material		
Plug connector		
Screw connection		Zinc diecast, nickel-plated
Body		TPU
Contact surface		Ni/Au
Flammability		V-2

Connection Assignment



Release date: 2023-06-30 Date of issue: 2023-06-30 Filename: 304591_eng.pdf

Accessories

	MH V1-SCREWDRIVER	Torque screwdriver (0.6 Nm)
	MH V1-BIT M12	plug-in cap M12