

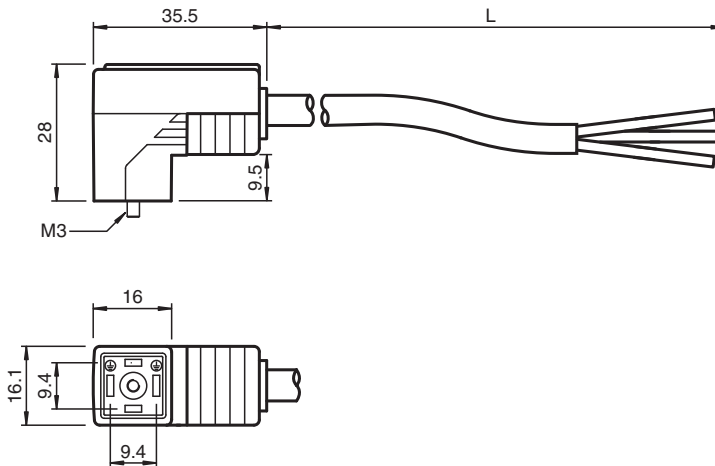
## Valve Connector Cordset VMCI-2+P/Z2-2M-PUR

- Z diode as a protective circuit
- Built-in LED, as operating and function indicator
- Moulded seal
- freely selectable cable models due to bridged protective earth
- Flame resistant cable
- Suitable for drag chains and abrasion resistant
- Halogen-free

Valve connector Form C (Ind), Z-diode LED 2-pin+PE, PUR cable black, drag chain suitable



### Dimensions



### Technical Data

General specifications			
Connector 1			
Connection		Valve connector industrial version	
Construction type		form C	
Style		angled	
Locking		screw connection	
Number of pins		2 + PE	
Connector 2			
Connection		cable end	
Indicators/operating means			
LED yellow		Operating display	
Electrical specifications			
Operating voltage	$U_B$	24 V AC/DC	
Operating current	$I_B$	max. 4 A	
Suppression		Zener diode	
Conformity			
Degree of protection		EN 60529	

Release date: 2023-09-04 Date of issue: 2023-09-04 Filename: 456858\_eng.pdf

Refer to "General Notes Relating to Pepperl+Fuchs Product Information".

Pepperl+Fuchs Group  
www.pepperl-fuchs.com

USA: +1 330 486 0001  
fa-info@us.pepperl-fuchs.com

Germany: +49 621 776 1111  
fa-info@de.pepperl-fuchs.com

Singapore: +65 6779 9091  
fa-info@sg.pepperl-fuchs.com

PEPPERL+FUCHS

## Technical Data

Plug connection	Valve connector : DIN EN 175301-803	
Flammability	DIN VDE 0482 , DIN EN 50265-2-1 , UL 94	
Halogen-free	DIN VDE 0472-815	
UV resistance	DIN EN ISO 4892-2-A	
Oil resistance	DIN EN 60811-2-1	
<b>Ambient conditions</b>		
Ambient temperature		
Plug connector	-20 ... 85 °C (-4 ... 185 °F)	
Cable, fixed	-40 ... 80 °C (-40 ... 176 °F)	
Cable, flexing	-20 ... 80 °C (-4 ... 176 °F)	
Pollution degree	3	
<b>Mechanical specifications</b>		
Plug connector		
Tightening torque	0.6 Nm	
Tool installation	screw M3 x 29	
Mating cycles	min. 100	
Degree of protection	IP65/IP67	
Cable		
Sheath diameter	4.5 mm	
Bending radius	> 50 mm > 22.5 mm, fixed	
Sheath color	dark grey (RAL 7021)	
Number of cores	3	
Core cross section	0.5 mm <sup>2</sup>	
Cores color	Core 1: black 1 Core 2: black 2 Core 3: green/yellow	
Core construction	28 x 0.15 mm Ø	
Length	L	2 m
Cable code	Li 9Y 11Y 3 x 0,50	
Drag chain suitability		
Drag chain cycles	min. 15000000	
Motion velocity	max. 5 m/s	
Traverse distance	0.9 m	
Acceleration	max. 30 m/s <sup>2</sup>	
<b>Material</b>		
Halogen-free	yes	
Plug connector		
Body	TPU, black	
Seal	TPU , molded	
Contact surface	Sn	
Flammability	V-0	
Cable		
Sheathing	PUR	
Core insulation	PP	
UV resistance	yes	
Oil resistance	good	
Flammability	V-0	

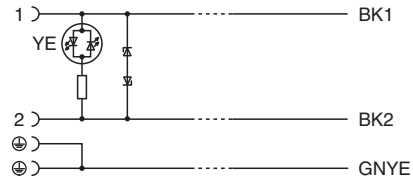
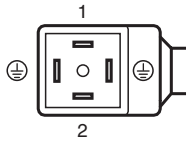
Release date: 2023-09-04 Date of issue: 2023-09-04 Filename: 456858\_eng.pdf

Refer to "General Notes Relating to Pepperl+Fuchs Product Information".

Pepperl+Fuchs Group  
www.pepperl-fuchs.comUSA: +1 330 486 0001  
fa-info@us.pepperl-fuchs.comGermany: +49 621 776 1111  
fa-info@de.pepperl-fuchs.comSingapore: +65 6779 9091  
fa-info@sg.pepperl-fuchs.com

**PEPPERL+FUCHS**

**Connection**



Release date: 2023-09-04 Date of issue: 2023-09-04 Filename: 456858\_eng.pdf