

Mounting aid OMH-MLV41-8-HV-U

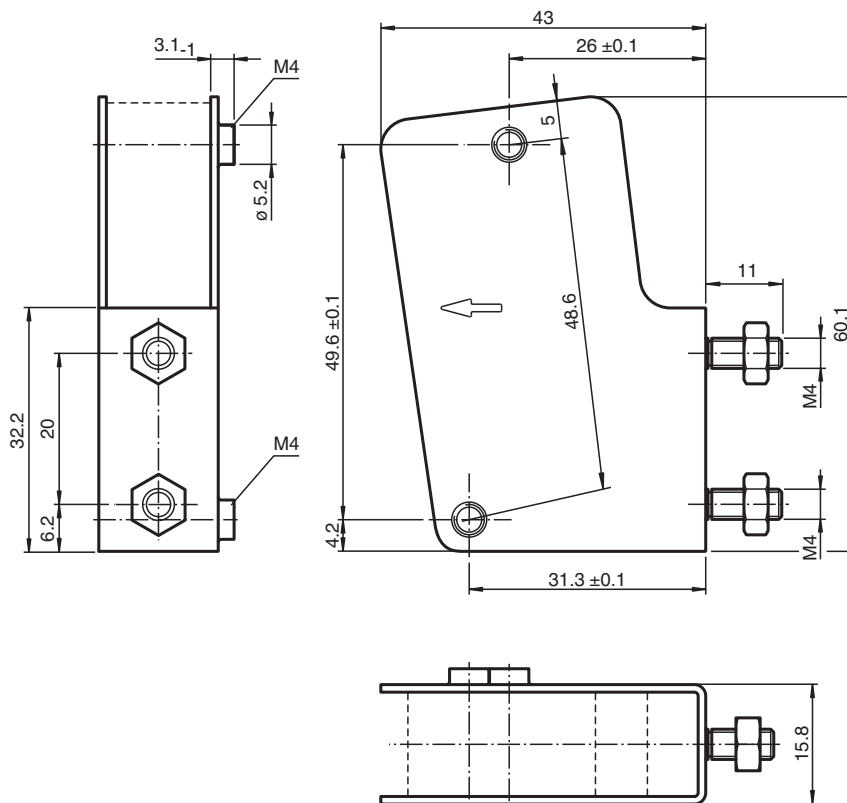


- U-shaped mounting bracket
- Simple and fast mounting
- Suitable for MLV41-8-HV series sensors

Mounting bracket



Dimensions



Technical Data

Mechanical specifications

Material: Stainless steel 1.4016

Release date: 2020-03-24 Date of issue: 2020-06-30 Filename: 234576_eng.pdf

Refer to "General Notes Relating to Pepperl+Fuchs Product Information".

Pepperl+Fuchs Group
www.pepperl-fuchs.com

USA: +1 330 486 0001
fa-info@us.pepperl-fuchs.com

Germany: +49 621 776 1111
fa-info@de.pepperl-fuchs.com

Singapore: +65 6779 9091
fa-info@sg.pepperl-fuchs.com

PF PEPPERL+FUCHS

Technical Data

Mass	approx. 20 g
Mounting	Mounting accessories included
Suitable series	
Series	MLV41

Release date: 2020-03-24 Date of issue: 2020-06-30 Filename: 234576_eng.pdf

Refer to "General Notes Relating to Pepperl+Fuchs Product Information".

Pepperl+Fuchs Group
www.pepperl-fuchs.com

USA: +1 330 486 0001
fa-info@us.pepperl-fuchs.com

Germany: +49 621 776 1111
fa-info@de.pepperl-fuchs.com

Singapore: +65 6779 9091
fa-info@sg.pepperl-fuchs.com