

# Background suppression sensor RLK23-1482

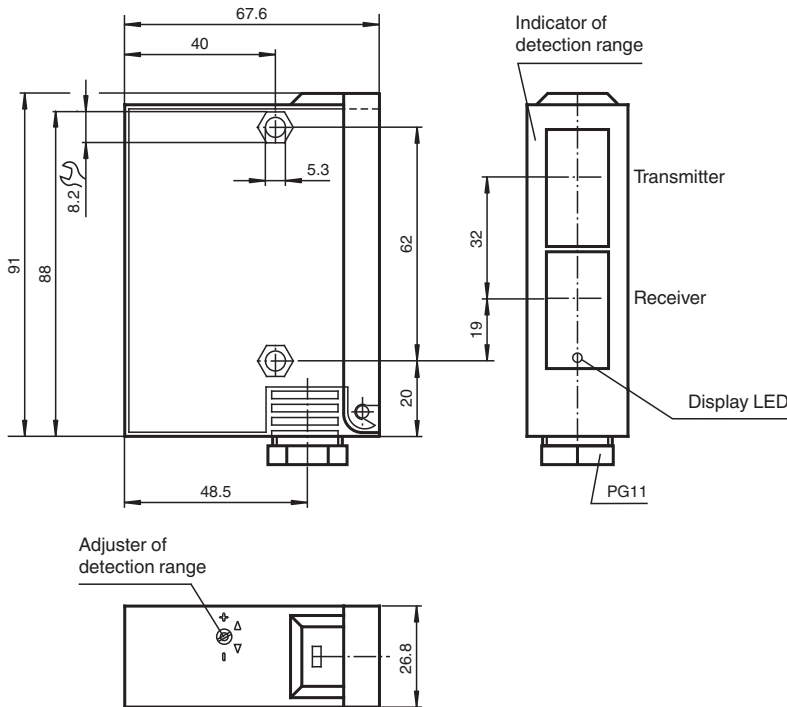


- Adjustable background suppression
- Infrared light
- Timer function
- Sturdy plastic housing
- Optical surface made of scratch-resistant glass
- Hauni-No.: 165276300000EN5380

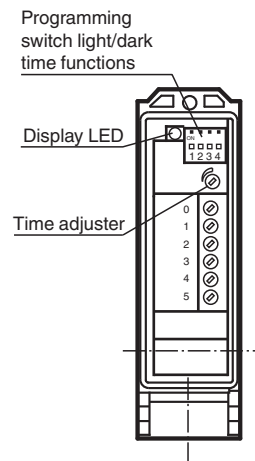
Background suppression sensor



## Dimensions



### Terminal compartment



Release date: 2020-12-10 Date of issue: 2020-12-10 Filename: 419483\_eng.pdf

Refer to "General Notes Relating to Pepperl+Fuchs Product Information".

Pepperl+Fuchs Group  
www.pepperl-fuchs.com

USA: +1 330 486 0001  
fa-info@us.pepperl-fuchs.com

Germany: +49 621 776 1111  
fa-info@de.pepperl-fuchs.com

Singapore: +65 6779 9091  
fa-info@sg.pepperl-fuchs.com

**PF** PEPPERL+FUCHS

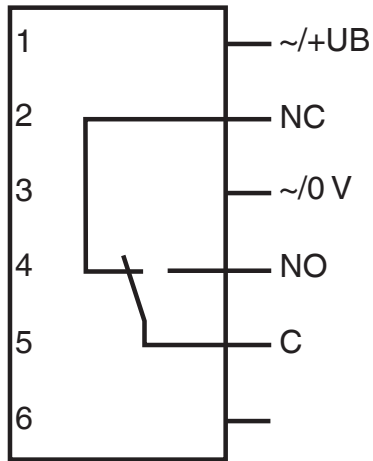
## Technical Data

General specifications		
Detection range		50 ... 2000 mm , preset to 800 mm +/-50 mm
Adjustment range		200 ... 2000 mm
Light source		IRED
Light type		modulated infrared light
Black-white difference (6 %/90 %)		< 20 %
Diameter of the light spot		50 mm at 2000 mm sensor range
Angle of divergence		1.5 °
Ambient light limit		5000 Lux
Functional safety related parameters		
MTTF <sub>d</sub>		850 a
Mission Time (T <sub>M</sub> )		20 a
Diagnostic Coverage (DC)		0 %
Indicators/operating means		
Function indicator		LED yellow, lights up with receiver lit
Control elements		Programming switch for light/dark switching
Control elements		Sensing range adjuster
Control elements		Time adjuster
Electrical specifications		
Operating voltage	U <sub>B</sub>	12 ... 240 V AC/DC (automatic adaption to +UB)
Power consumption	P <sub>0</sub>	3 VA
Output		
Switching type		light/dark on selectable programmable
Signal output		1 relay output, 1 alternator
Switching voltage		max. 240 V AC
Switching current		max. 2 A
Switching frequency	f	10 Hz
Response time		50 ms
Timer function		ON delay (GAN), OFF delay (GAB), one shot (IAB), programmable, adjustment range 0.1 ...10 s
Conformity		
Product standard		EN 60947-5-2
Approvals and certificates		
UL approval		cULus
CCC approval		Certified by China Compulsory Certification (CCC)
Ambient conditions		
Ambient temperature		-20 ... 60 °C (-4 ... 140 °F)
Storage temperature		-20 ... 75 °C (-4 ... 167 °F)
Mechanical specifications		
Housing width		26.8 mm
Housing height		91 mm
Housing depth		67.6 mm
Degree of protection		IP65
Connection		terminal compartment
Material		
Housing		Terluran® GV15
Optical face		glass
Mass		180 g

Release date: 2020-12-10 Date of issue: 2020-12-10 Filename: 419483\_eng.pdf

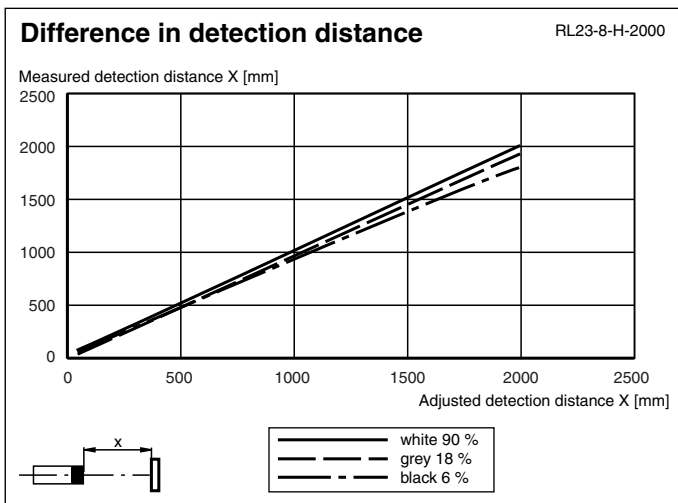
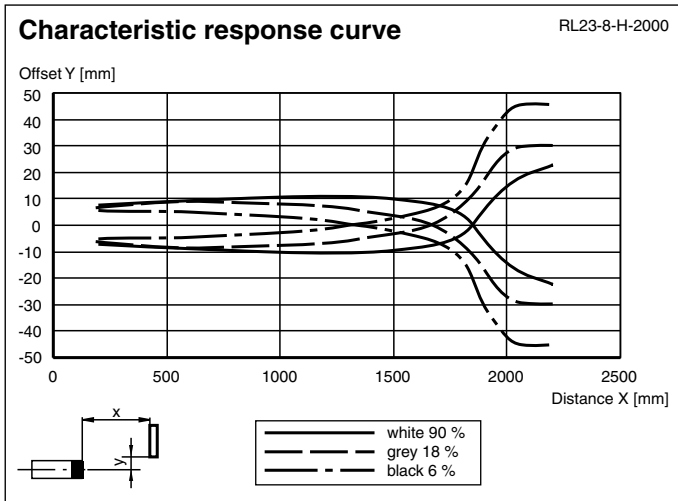
**Connection Assignment**

Opzione:




- = Light on
- = Dark on

**Characteristic Curve**






Release date: 2020-12-10 Date of issue: 2020-12-10 Filename: 419483\_eng.pdf

**Accessories**

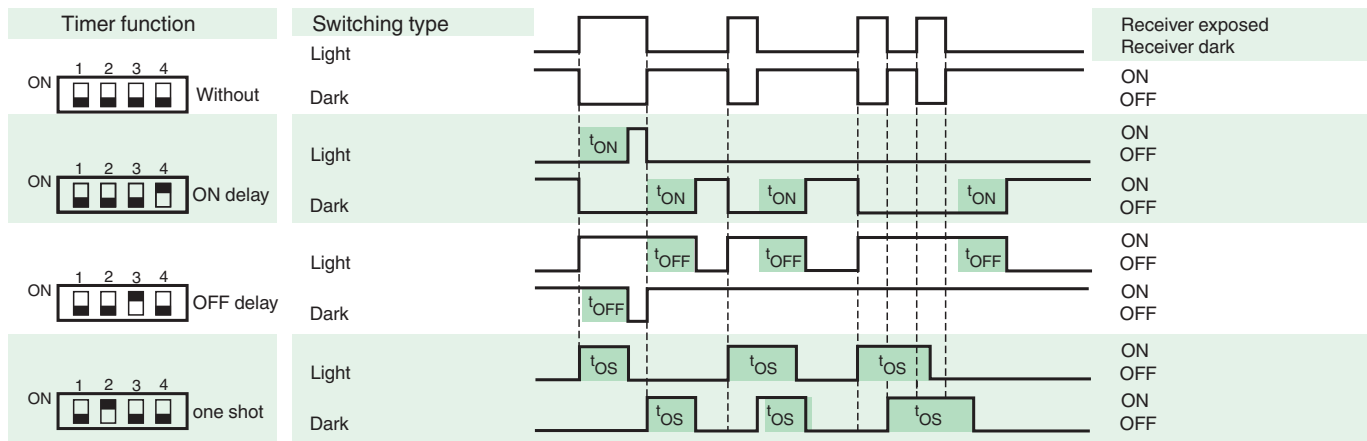
	<p><b>OMH-05</b></p>	<p>Mounting aid for round steel <math>\varnothing</math> 12 mm or sheet 1.5 mm ... 3 mm</p>
---	----------------------	---

Refer to "General Notes Relating to Pepperl+Fuchs Product Information".

**Accessories**

	<b>OMH-21</b>	Mounting bracket
	<b>OMH-22</b>	Mounting bracket
	<b>OMH-RLK29-HW</b>	Mounting bracket for rear wall mounting

## Timer functions



Time  $t_{ON}$ ,  $t_{OFF}$  and  $t_{OS}$  are adjustable from 0.1 to 10 seconds.  
 The Light-/Dark-Switch (Left, outer switch) is shown in the "Dark ON" position.

Type	Description	Notes
-Z	OFF delay timer	Adjustable time interval (0.1 s - 10 s)
	one shot timer	
	ON delay timer	

## Accessories

Other suitable accessories can be found at [www.pepperl-fuchs.com](http://www.pepperl-fuchs.com)