

Mounting aid

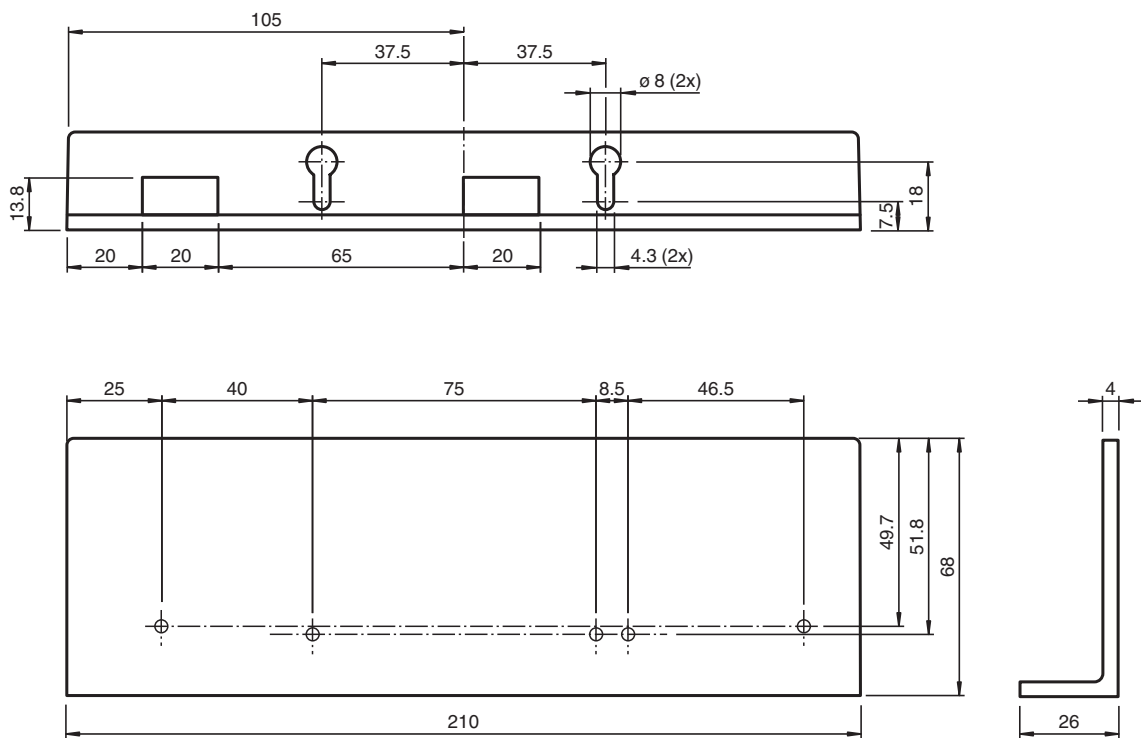
MotionScan Mount. Bracket



- Mounting bracket
- Simple and fast mounting

Mounting bracket

Dimensions



Technical Data

Mechanical specifications

| | |
|----------|------|
| Material | PC |
| Mass | 55 g |

Release date: 2020-03-24 Date of issue: 2020-10-08 Filename: 285858_eng.pdf

Refer to "General Notes Relating to Pepperl+Fuchs Product Information".

Pepperl+Fuchs Group
www.pepperl-fuchs.com

USA: +1 330 486 0001
fa-info@us.pepperl-fuchs.com

Germany: +49 621 776 1111
fa-info@de.pepperl-fuchs.com

Singapore: +65 6779 9091
fa-info@sg.pepperl-fuchs.com

PF PEPPERL+FUCHS

Technical Data

| | |
|------------------------|------------------------------------|
| Dimensions | (W x H x D) 210 mm x 68 mm x 26 mm |
| Suitable series | |
| Series | MotionScan |

Release date: 2020-03-24 Date of issue: 2020-10-08 Filename: 285858_eng.pdf

Refer to "General Notes Relating to Pepperl+Fuchs Product Information".

Pepperl+Fuchs Group
www.pepperl-fuchs.comUSA: +1 330 486 0001
fa-info@us.pepperl-fuchs.comGermany: +49 621 776 1111
fa-info@de.pepperl-fuchs.comSingapore: +65 6779 9091
fa-info@sg.pepperl-fuchs.com **PEPPERL+FUCHS**