

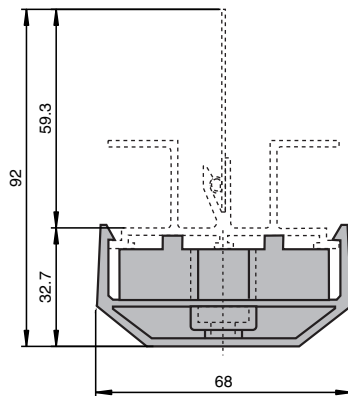
Profile rail bracket

WCS2-MH

- Profile rail simply snap-on

Profile rail bracket

Dimensions



Technical Data

Ambient conditions

Ambient temperature -40 ... 130 °C (-40 ... 266 °F)

Mechanical specifications

Material Polyamide (PA6-GF30)

Mass 20 g

Function

Rail holders, into which the profile rail is clipped, are available for rapid installation of the aluminium profile rail. The rail holders are available in three different versions.

The screw-on holder WCSx-MH1 is bolted to the substructure, the holder for fitting in a C profile WCSx-MH2 is designed for installation in a C profile rail (30 mm x 32 mm). The holder WCSx-MH comes without any mounting elements.