

Cable connector

V19S-W-BK5M-PUR-U

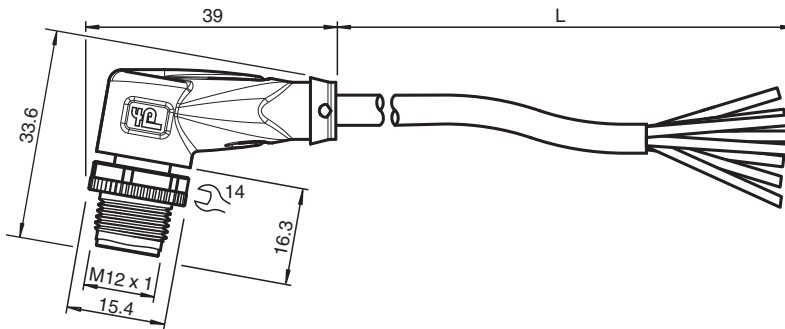


- Degree of protection IP68 / IP69
- Free of paint wetting interfering substances
- Resistant to microbes and hydrolysis
- UL listed for USA and Canada
- UV resistant
- Halogen-free
- Specific design protects against loosening and inaccurate installation

Male cordset single-ended M12 angled A-coded, 8-pin, PUR cable black, UL approved



Dimensions



Technical Data

| General specifications | | | |
|----------------------------|-------|--|--|
| Connector 1 | | | |
| Connection | | | plug |
| Construction type | | | M12 |
| Style | | | angled |
| Locking | | | screw connection |
| Number of pins | | | 8 |
| Coding | | | A-coded |
| Connector 2 | | | |
| Connection | | | cable end |
| Electrical specifications | | | |
| Operating voltage | U_B | | max. 30 V AC/DC |
| Operating current | I_B | | max. 2 A |
| Conformity | | | |
| Degree of protection | | | EN 60529 |
| Plug connection | | | connector M12 x 1 : IEC 61076-2-101 |
| Flammability | | | UL 1581; DIN EN 60332-2-2 |
| Halogen-free | | | IEC 60754-1 |
| Approvals and certificates | | | |
| UL approval | | | AWM STYLE 20549 AWM I/II A/B 80°C 300V FT2 (cable) |
| UL File Number | | | E231213 |

Release date: 2023-09-05 Date of issue: 2023-09-05 Filename: 240772-100021_eng.pdf

Refer to "General Notes Relating to Pepperl+Fuchs Product Information".

Pepperl+Fuchs Group
www.pepperl-fuchs.com

USA: +1 330 486 0001
fa-info@us.pepperl-fuchs.com

Germany: +49 621 776 1111
fa-info@de.pepperl-fuchs.com

Singapore: +65 6779 9091
fa-info@sg.pepperl-fuchs.com

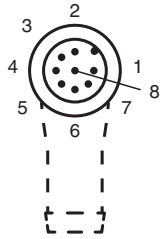
PEPPERL+FUCHS

Technical Data

| Ambient conditions | | |
|------------------------------|---|--|
| Ambient temperature | | |
| Plug connector | | -40 ... 90 °C (-40 ... 194 °F) |
| Cable, fixed | | -40 ... 80 °C (-40 ... 176 °F) |
| Cable, flexing | | -20 ... 80 °C (-4 ... 176 °F) |
| Pollution degree | | 3 |
| Mechanical specifications | | |
| Plug connector | | |
| Tightening torque | | 0.6 Nm |
| Loosening protection | | available |
| Tool installation | | straight knurling and hexagon nut SW = 14 mm |
| Mating cycles | | min. 100 |
| Degree of protection | | IP68 / IP69 |
| Cable | | according to IEC/EN 60228 (DIN VDE 0295) class 5 |
| Sheath diameter | | 6 mm |
| Bending radius | | > 10 x cable diameter, moving > 8 x cable diameter, fixed |
| Sheath stripping force | | max. 80 N / 500 mm |
| Sheath color | | black (similar to RAL 9005) |
| Number of cores | | 8 |
| Core cross section | | 0.25 mm ² |
| Cores color | | Core 1: white Core 2: brown Core 3: green Core 4: yellow Core 5: grey Core 6: pink Core 7: blue Core 8: red |
| Core construction | | 14 x 0.15 mm Ø |
| Length | L | 5 m |
| Cable code | | Li 9Y 11Y 8 x 0,25 |
| Material | | |
| PWIS free | | yes |
| Halogen-free | | yes |
| Plug connector | | |
| Screw connection | | Zinc diecast, nickel-plated |
| Body | | TPU, black |
| Contact surface | | gold plated (Au) |
| Flammability | | V-2 |
| Cable | | |
| Sheathing | | PUR based on polyether |
| Core insulation | | PP |
| UV resistance | | yes |
| Chemical resistance | | good |
| Oil resistance | | yes |
| Cooling lubricant resistance | | yes |
| Microbial resistance | | yes |
| Hydrolysis resistance | | yes |
| Flammability | | FT2 |

Release date: 2023-09-05 Date of issue: 2023-09-05 Filename: 240772-100021_eng.pdf

Connection



- 1 ————— WH
- 2 ————— BN
- 3 ————— GN
- 4 ————— YE
- 5 ————— GY
- 6 ————— PK
- 7 ————— BU
- 8 ————— RD

Accessories

| | | |
|---|------------------------------|--|
|  | MH V1-SCREWDRIVER | Torque screwdriver (0.6 Nm) |
|  | MH V1-BIT M12 | plug-in cap M12 |
|  | V1/V3-LABELHOLDER | Label holder |
|  | V1/V3-LABEL | Label plate |
|  | MH V1-Holder | Modular universal holder for M12 connectors |
|  | V1-CLIP | Unlocking protector for M12 connector |
|  | V1-MARKING-RING-COLOR | Marking rings for M12 connectors, various colors |

Release date: 2023-09-05 Date of issue: 2023-09-05 Filename: 240772-100021_eng.pdf

Refer to "General Notes Relating to Pepperl+Fuchs Product Information".