



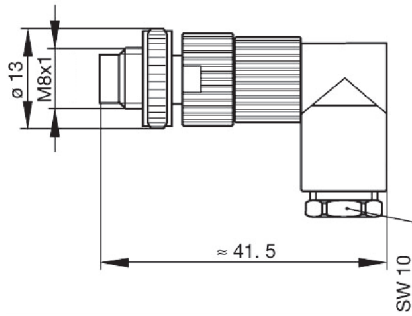
Male connector, field-attachable V3S-WM-MQ

- Insulation displacement connection
- Metal locking
- Knurled nut suitable for tool assembly

Male connector M8 angled A-coded 3-pin, for cable diameter 4 - 5 mm, field-attachable, insulation displacement connection



Dimensions



Technical Data

General specifications			
Connector 1			
Connection		plug	
Construction type		M8	
Style		angled	
Locking		screw connection	
Number of pins		3	
Coding		A-coded	
Electrical specifications			
Operating voltage	U_B	max. 48 V AC / 60 V DC	
Operating current	I_B	max. 3 A (2 A at 0.14 mm ²)	
Volume resistance		< 5 mΩ	
Insulation resistance		min. 100 MΩ	
Conformity			
Degree of protection		EN 60529	
Plug connection		connector M8 x 1 : IEC 61076-2-104	

Release date: 2023-06-01 Date of issue: 2023-06-01 Filename: 229275_eng.pdf

Refer to "General Notes Relating to Pepperl+Fuchs Product Information".

Pepperl+Fuchs Group
www.pepperl-fuchs.com

USA: +1 330 486 0001
fa-info@us.pepperl-fuchs.com

Germany: +49 621 776 1111
fa-info@de.pepperl-fuchs.com

Singapore: +65 6779 9091
fa-info@sg.pepperl-fuchs.com

PF PEPPERL+FUCHS

Technical Data

Ambient conditions	
Ambient temperature	-25 ... 70 °C (-13 ... 158 °F)
Pollution degree	3
Mechanical specifications	
Degree of protection	IP67
Connection	Insulation displacement connection for 0.25 ... 0.5 mm ² / AWG 24 ... AWG 20
Cable	
Sheath diameter	4 ... 5 mm
Cores	Cross-section: 0.14 ... 0.34 mm ²
Material	
Plug connector	
Screw connection	Zinc diecast, nickel-plated
Body	PA, black
Seal	NBR
Contact surface	Au
Flammability	V-2

Connection Assignment

