

IO-Link converter

ICA-AI-I/U-IO-V1

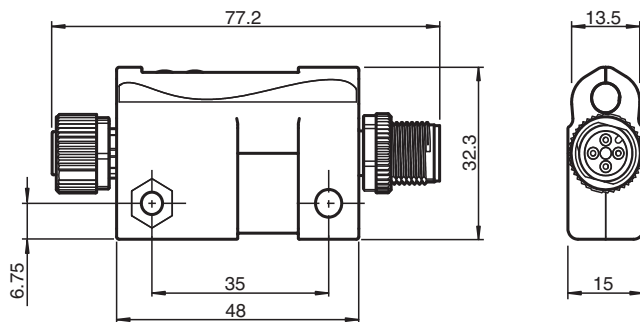


- IO-Link interface
- IP67
- Analog input can be parameterized (current/voltage)
- Current input can be parameterized as 0 ... 20 mA/4 ... 20 mA
- Voltage input can be parameterized as -10 ... 10 V/0 ... 10 V

IO-Link converter with analog input (current/voltage)



Dimensions



Technical Data

General specifications			
UL File Number			E223772
Functional safety related parameters			
MTTF _d			246 a
Indicators/operating means			
LED 1			Device status, diagnostics
Electrical specifications			
Rated operating voltage	U _e		18 ... 30 V
Nominal voltage			24 V DC
Nominal current			230 mA
Current consumption			typ. 30 mA
Surge protection			Category II
Interface			
Interface type			IO-Link
IO-Link revision			1.1
Device profile			Identification and Diagnosis
Device ID			0x0F0501 (984321)

Release date: 2021-09-23 Date of issue: 2021-09-23 Filename: 70128166_eng.pdf

Refer to "General Notes Relating to Pepperl+Fuchs Product Information".

Pepperl+Fuchs Group
www.pepperl-fuchs.com

USA: +1 330 486 0001
fa-info@us.pepperl-fuchs.com

Germany: +49 621 776 1111
fa-info@de.pepperl-fuchs.com

Singapore: +65 6779 9091
fa-info@sg.pepperl-fuchs.com

PF PEPPERL+FUCHS

Technical Data

Transfer rate	COM2 (38.4 kBaud)
Min. cycle time	2.3 ms
Process data width	16 bits / 2 bytes
SIO mode support	no
Compatible master port type	A
Input	
Number/Type	1 analog input for sensors with analog output
Sensor supply	17 ... 29.8 V DC ≤ 200 mA
Measurement range	Current input or voltage input, configurable: 0 mA...20 mA 4 mA...20 mA 0 V...10 V -10 V...10 V
Accuracy	0.1 % FS at 25 °C
Resolution	ADC: 24 Bit Process data: 16 bit
Sampling rate	max. 200 Hz
Input filter	Average determination of process data, parameterizable
Temperature influence	45 ppm/°K
Directive conformity	
Electromagnetic compatibility	
Directive 2014/30/EU	EN 61000-6-2:2005, EN 61000-6-4:2007+A1:2011
Standard conformity	
Degree of protection	EN 60529:2000
Fieldbus standard	IEC 61131-9 / IO-Link V1.1
Emitted interference	EN 61000-6-4
Noise immunity	EN 61000-4-2, EN 61000-4-3, EN 61000-4-4, EN 61000-4-6
Shock resistance	EN 60068, Part 2-6, Part 2-27
Ambient conditions	
Ambient temperature	-30 ... 70 °C (-22 ... 158 °F)
Storage temperature	-40 ... 85 °C (-40 ... 185 °F)
Relative humidity	max. 85 %
Climatic conditions	Climatic class 3K3
Altitude	0 ... 2000 m
Shock and impact resistance	50 g, 11 ms, all axes
Pollution degree	3
Mechanical specifications	
Degree of protection	IP67
Connection	IO-Link M12, A-coded Input M12, A-coded
Material	
Contacts	Zinc, CuNi plated
Housing	Plastic PC + PBT
Mass	44 g
Construction type	Field housing

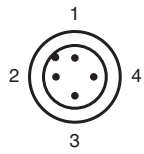
Release date: 2021-09-23 Date of issue: 2021-09-23 Filename: 70128166_eng.pdf

Refer to "General Notes Relating to Pepperl+Fuchs Product Information".

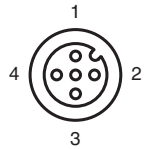
Pepperl+Fuchs Group
www.pepperl-fuchs.comUSA: +1 330 486 0001
fa-info@us.pepperl-fuchs.comGermany: +49 621 776 1111
fa-info@de.pepperl-fuchs.comSingapore: +65 6779 9091
fa-info@sg.pepperl-fuchs.com

PEPPERL+FUCHS

Connection Assignment

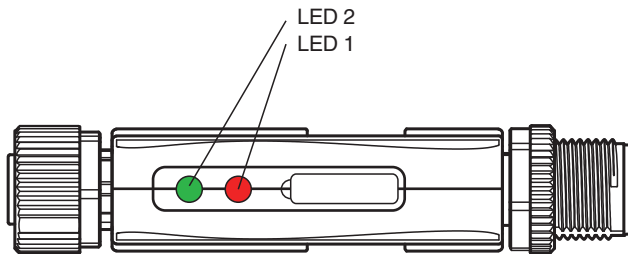


- 1: +24 V (L+)
- 2: n.c.
- 3: GND (L-)
- 4: C/Q





- 1: +24 V (L+)
- 2: AI
- 3: GND (L-)
- 4: n.c.

Indication



Accessories

	MH V1-SCREWDRIVER	torque screwdriver (0.6 Nm)
	MH V1-BIT M12	plug-in cap M12

Release date: 2021-09-23 Date of issue: 2021-09-23 Filename: 70128166_eng.pdf