

# Female connector, field-attachable

## V17-G-PG9

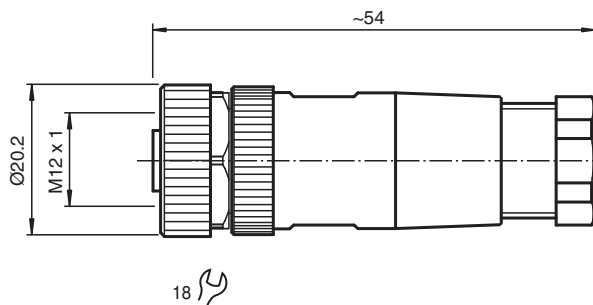


- Screw terminal connection
- Knurled nut suitable for tool assembly
- Metal locking

Female connector M12 straight A-coded 8-pin, for cable diameter 6 - 8 mm, field-attachable



### Dimensions



### Technical Data

General specifications			
Connector 1			
Connection			socket
Construction type			M12
Style			straight
Locking			screw connection
Number of pins			8
Coding			A-coded
Electrical specifications			
Operating voltage	$U_B$		max. 30 V AC/DC
Operating current	$I_B$		max. 1.5 A
Insulation resistance			min. 100 M $\Omega$
Conformity			
Degree of protection			EN 60529
Plug connection			connector M12 x 1 : IEC 61076-2-101
Ambient conditions			
Ambient temperature			-40 ... 85 °C (-40 ... 185 °F)

Release date: 2023-02-20 Date of issue: 2023-02-20 Filename: 199931\_eng.pdf

Refer to "General Notes Relating to Pepperl+Fuchs Product Information".

Pepperl+Fuchs Group  
www.pepperl-fuchs.com

USA: +1 330 486 0001  
fa-info@us.pepperl-fuchs.com

Germany: +49 621 776 1111  
fa-info@de.pepperl-fuchs.com

Singapore: +65 6779 9091  
fa-info@sg.pepperl-fuchs.com

 PEPPERL+FUCHS

## Technical Data

Pollution degree	3
<b>Mechanical specifications</b>	
Plug connector	
Tightening torque	0.6 Nm
Tool installation	straight knurling , hexagon nut SW = 18 mm
Mating cycles	min. 100
Degree of protection	IP67
Connection	screw terminals for max. 0.5 mm <sup>2</sup> / AWG 20
Cable	
Sheath diameter	6 ... 8 mm
Mass	26.77 g
<b>Material</b>	
Plug connector	
Screw connection	CuZn, nickel-plated
Body	PA, black
Contact surface	Au

## Connection Assignment

