



AS-Interface flat cable

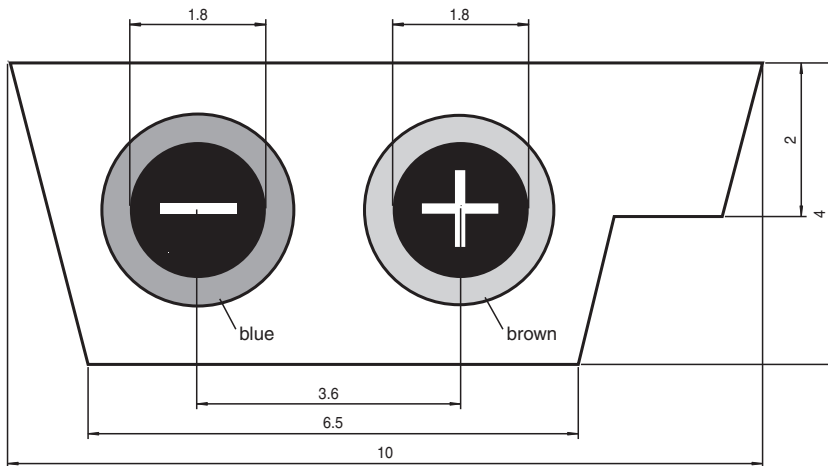
VAZ-FK-S-BK-2,5MM-500M

- Cable piercing technique
- Resistant to environmental influence
- Resistant to bending
- Reverse polarity protected due to the shape of the cable
- Halogen-free (PVC-free)
- Does not give off silicone
- Graduations in meters

AS-Interface flat cable for external auxiliary voltage up to 24 V



Dimensions



Technical Data

Electrical specifications	
Nominal voltage	48 V
Current loading capacity	According to DIN VDE 0298 Part 4, Table 6, Column 4
Ambient conditions	
Conductor temperature	Operating mode: 90 °C (363 K) Short-circuit: 200 °C (473 K)
Ambient temperature	-40 ... 85 °C (-40 ... 185 °F) at standstill, -25 ... 85 °C (-13 ... 185 °F) in motion
Mechanical specifications	
Core cross section	Copper, extra-fine wire, class 6 in accordance with DIN VDE 0295 cross-section 2.5 mm ²
Bending radius	min. permissible bend radii in accordance with DIN VDE 0298 Part 3, Table 2 Bending stress only permitted on the wide side of the cable
Tension loading	max. 50 N/mm ² on laying acc. to DIN VDE 0298 Part 3
Material	EPDM Rubber compound EM3, based on DIN VDE 0207 Part 21
Core insulation	Rubber compound in accordance with DIN VDE 0207 Part 20
Cable	
Color	black (similar to RAL 9005)

Release date: 2022-06-17 Date of issue: 2022-06-17 Filename: 282770_eng.pdf

Refer to "General Notes Relating to Pepperl+Fuchs Product Information".

Pepperl+Fuchs Group
www.pepperl-fuchs.com

USA: +1 330 486 0001
fa-info@us.pepperl-fuchs.com

Germany: +49 621 776 1111
fa-info@de.pepperl-fuchs.com


Singapore: +65 6779 9091
fa-info@sg.pepperl-fuchs.com

PEPPERL+FUCHS

Technical Data

Cable length	500 m
--------------	-------

Accessories

	VAZ-FK-ED3	AS-Interface end seal for flat cable
---	-------------------	--------------------------------------