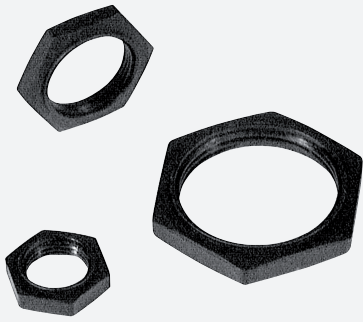


# Mounting aid M30K-VE

■ For insulated mounting

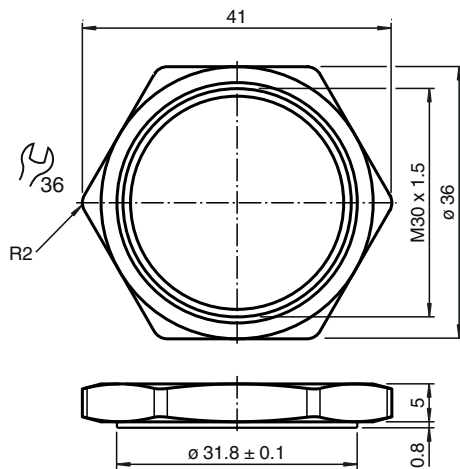


Plastic nuts with centering ring for the vibration-free mounting of cylindrical sensors

## Function

Plastic nuts with centering ring for the vibration-free mounting of cylindrical sensors. These plastic nuts must be used in applications where a sensor is to be screwed into the front third of the housing sleeve and operated at temperatures of  $< 0\text{ }^{\circ}\text{C}$ .

## Dimensions



## Technical Data

### Mechanical specifications

Material	Polyamide (PA)
Construction type	Threading M30 , wrench size 36

### General information

Packing unit	2 item(s)
--------------	-----------

Release date: 2021-02-05 Date of issue: 2021-02-05 Filename: 183656\_eng.pdf

Refer to "General Notes Relating to Pepperl+Fuchs Product Information".

Pepperl+Fuchs Group  
www.pepperl-fuchs.com

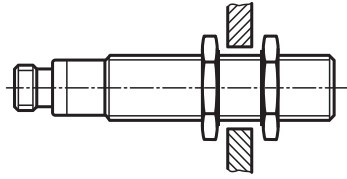
USA: +1 330 486 0001  
fa-info@us.pepperl-fuchs.com

Germany: +49 621 776 1111  
fa-info@de.pepperl-fuchs.com

Singapore: +65 6779 9091  
fa-info@sg.pepperl-fuchs.com

**PF** PEPPERL+FUCHS

Mounting



Release date: 2021-02-05 Date of issue: 2021-02-05 Filename: 183656\_eng.pdf

Refer to "General Notes Relating to Pepperl+Fuchs Product Information".

Pepperl+Fuchs Group  
www.pepperl-fuchs.com

USA: +1 330 486 0001  
fa-info@us.pepperl-fuchs.com

Germany: +49 621 776 1111  
fa-info@de.pepperl-fuchs.com

Singapore: +65 6779 9091  
fa-info@sg.pepperl-fuchs.com