

Mounting aid OMH-VDM100-01

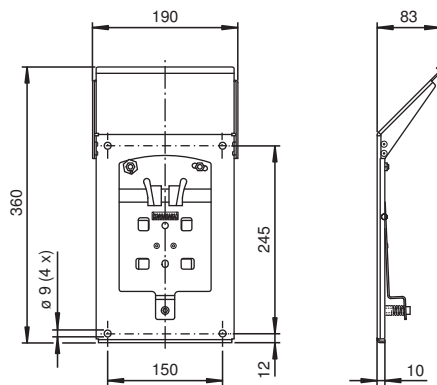


- Mounting bracket
- Fixing with latching spring or latch fastener for easy installation

Mounting bracket with deviation mirror for distance measurement devices



Dimensions



Technical Data

Nominal ratings

Repeat accuracy	R	The repeating accuracy of the device used does not change.
-----------------	---	--

Measurement accuracy

Accuracy	± 1 mm (This fault is added to the fault in the device used)
----------	--

Mechanical specifications

Material	high-grade steel, deflector mirror: glass
Mass	approx. 1650 g

Suitable series

Series	VDM100
--------	--------

Release date: 2021-02-08 Date of issue: 2021-02-08 Filename: 208856_eng.pdf

Refer to "General Notes Relating to Pepperl+Fuchs Product Information".

Pepperl+Fuchs Group
www.pepperl-fuchs.com

USA: +1 330 486 0001
fa-info@us.pepperl-fuchs.com

Germany: +49 621 776 1111
fa-info@de.pepperl-fuchs.com

Singapore: +65 6779 9091
fa-info@sg.pepperl-fuchs.com

PEPPERL+FUCHS