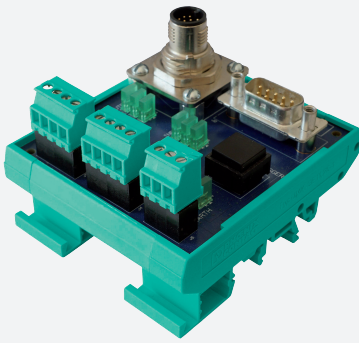


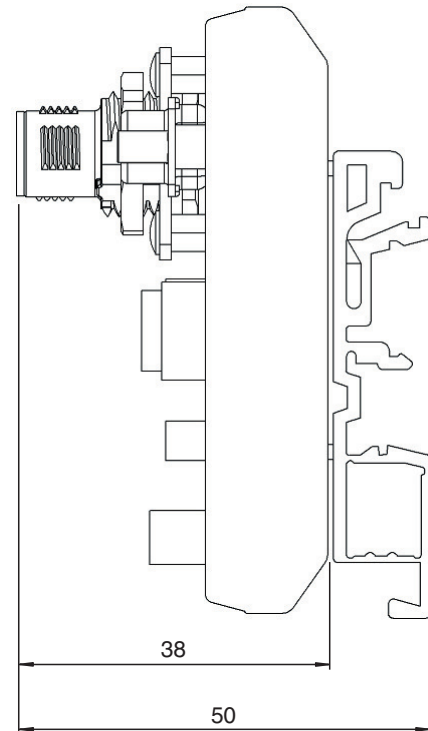
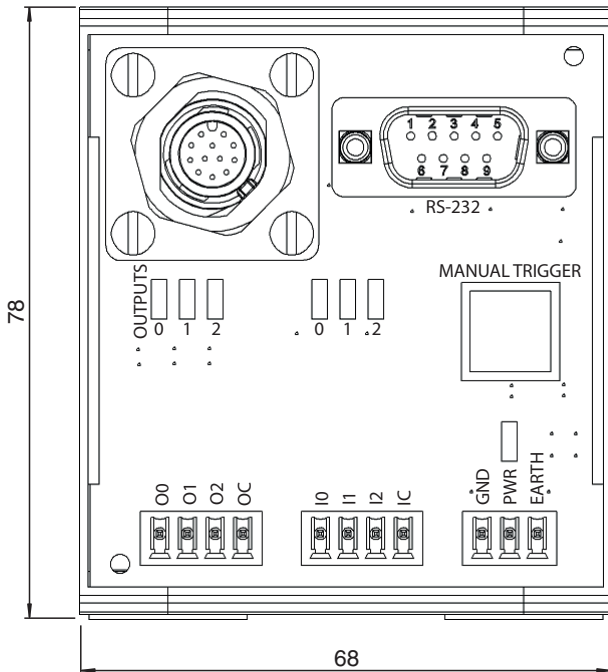
# Evaluation board for VOS cameras

## VOS-PROG1



- Evaluation board for VOS cameras
- LED for displaying the switching output states
- Terminals for I/O signals and power supply

### Dimensions



### Technical Data

#### Indicators/operating means

LED green	3 x Input I0, I1, I2 3 x Output O0, O1, O2 1 x PWR
-----------	--

#### Electrical specifications

Operating voltage	$U_B$	max. 24 V
Operating current	$I_B$	max. 200 mA

#### Interface

Connection	1 x M12 connector, 12-pin 1 x D-Sub plug 9-pin
------------	---

Release date: 2021-03-26 Date of issue: 2021-03-26 Filename: 70114983\_eng.pdf

Refer to "General Notes Relating to Pepperl+Fuchs Product Information".

Pepperl+Fuchs Group  
www.pepperl-fuchs.com

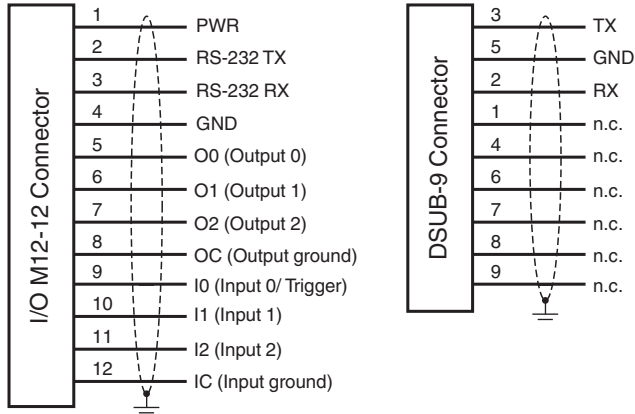
USA: +1 330 486 0001  
fa-info@us.pepperl-fuchs.com

Germany: +49 621 776 1111  
fa-info@de.pepperl-fuchs.com

Singapore: +65 6779 9091  
fa-info@sg.pepperl-fuchs.com

**PF** PEPPERL+FUCHS

**Connection**



Release date: 2021-03-26 Date of issue: 2021-03-26 Filename: 70114983\_eng.pdf