

# Female connector, field-attachable

## V1T-G-PG11

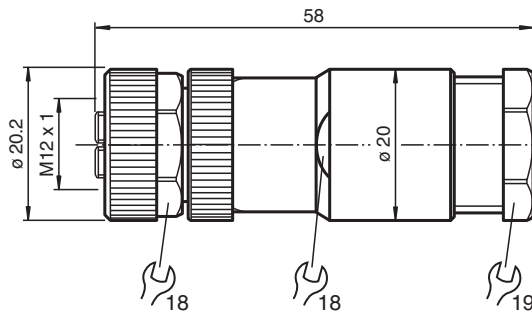


- Screw terminal connection
- Metal locking
- Knurled nut suitable for tool assembly

Female connector M12 straight T-coded 4-pin, for cable diameter 8 - 10 mm, field-attachable



### Dimensions



### Technical Data

General specifications			
Connector 1			
Connection		socket	
Construction type		M12	
Style		straight	
Locking		screw connection	
Number of pins		4	
Coding		T-coded	
Electrical specifications			
Rated operating voltage	U <sub>e</sub>	max. 48 V AC / 63 V DC	
Rated operating current	I <sub>e</sub>	max. 12 A	
Volume resistance		< 5 mΩ	
Conformity			
Degree of protection		EN 60529	
Plug connection		connector M12 x 1 : IEC 61076-2-101	
Ambient conditions			
Ambient temperature		-40 ... 85 °C (-40 ... 185 °F)	

Release date: 2023-08-18 Date of issue: 2023-08-18 Filename: 70166321\_eng.pdf

Refer to "General Notes Relating to Pepperl+Fuchs Product Information".

Pepperl+Fuchs Group  
www.pepperl-fuchs.com

USA: +1 330 486 0001  
fa-info@us.pepperl-fuchs.com

Germany: +49 621 776 1111  
fa-info@de.pepperl-fuchs.com

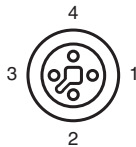
Singapore: +65 6779 9091  
fa-info@sg.pepperl-fuchs.com

PEPPERL+FUCHS

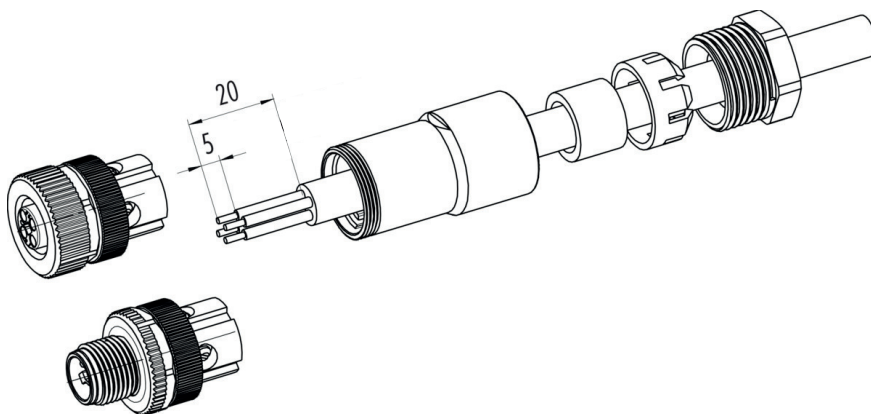
## Technical Data

Pollution degree	3
<b>Mechanical specifications</b>	
Plug connector	
Tightening torque	0.6 Nm
Tool installation	straight knurling , hexagon nut SW = 18 mm
Mating cycles	min. 100
Degree of protection	IP67
Connection	screw terminals for max. 1.5 mm <sup>2</sup> / AWG 16 with wire end ferrule screw terminals for max. 2.5 mm <sup>2</sup> / AWG 14 without wire end ferrule
Cable	
Sheath diameter	8 ... 10 mm
Mass	27 g
<b>Material</b>	
Plug connector	
Screw connection	Zinc diecast, nickel-plated
Body	PA, black
Contact surface	Au
Flammability	V-0

## Connection



## Connection



Release date: 2023-08-18 Date of issue: 2023-08-18 Filename: 70166321\_eng.pdf

Refer to "General Notes Relating to Pepperl+Fuchs Product Information".

Pepperl+Fuchs Group  
www.pepperl-fuchs.com

USA: +1 330 486 0001  
fa-info@us.pepperl-fuchs.com

Germany: +49 621 776 1111  
fa-info@de.pepperl-fuchs.com

Singapore: +65 6779 9091  
fa-info@sg.pepperl-fuchs.com

**PF** PEPPERL+FUCHS