

Female connector, field-attachable

V15L-W-BK

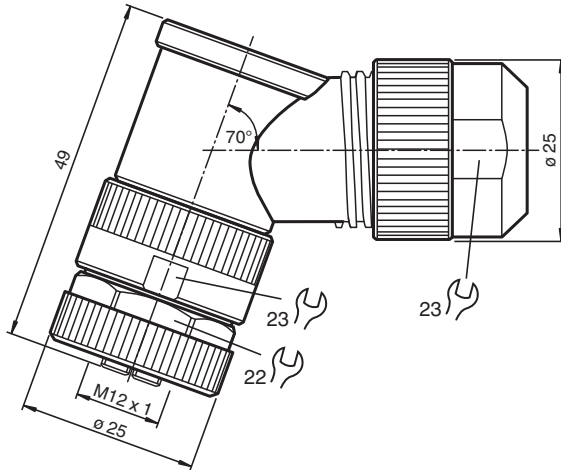


- Field-attachable
- Screw terminal connection
- Metal locking
- Knurled nut suitable for tool assembly

Female connector M12 angled L-coded 5-pin, for cable diameter 8 - 13 mm, field-attachable



Dimensions



Technical Data

General specifications			
Connector 1			
Connection		socket	
Construction type		M12	
Style		angled	
Locking		screw connection	
Number of pins		5	
Coding		L-coded	
Customization		Coding rotateable in steps of 72°	
Electrical specifications			
Rated operating voltage	U _e	max. 48 V AC / 63 V DC	
Rated operating current	I _e	1.5 mm ² , AWG 16 : 12 A 2.5 mm ² , AWG 14 : 16 A	
Insulation resistance		min. 10000 MΩ	
Conformity			
Degree of protection		EN 60529	
Plug connection		connector M12 x 1 : IEC 61076-2-101	

Release date: 2023-08-18 Date of issue: 2023-08-18 Filename: 70101882_eng.pdf

Refer to "General Notes Relating to Pepperl+Fuchs Product Information".

Pepperl+Fuchs Group
www.pepperl-fuchs.com

USA: +1 330 486 0001
fa-info@us.pepperl-fuchs.com

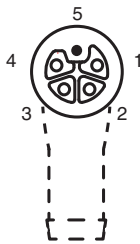
Germany: +49 621 776 1111
fa-info@de.pepperl-fuchs.com

Singapore: +65 6779 9091
fa-info@sg.pepperl-fuchs.com



Technical Data

Ambient conditions	
Ambient temperature	-40 ... 105 °C (-40 ... 221 °F)
Pollution degree	3
Mechanical specifications	
Plug connector	
Tightening torque	0.6 Nm
Tool installation	straight knurling , hexagon nut SW = 22 mm
Mating cycles	min. 100
Degree of protection	IP67
Connection	screw terminals for max. 1.5 mm ² / AWG 16 with wire end ferrule screw terminals for max. 2.5 mm ² / AWG 14 without wire end ferrule
Cable	
Sheath diameter	8 ... 13 mm
Mass	53.58 g
Material	
Plug connector	
Screw connection	CuZn, nickel-plated
Body	PA, black
Contact surface	Au
Flammability	V-0

Connection Assignment



Accessories

	CBL-PUR-U-GY-05x150-100M	Cable, PUR/PP, 5-core grey, UL approved, drag chain suitable, torsion resistant, oil resistant
	VAZ-V1-B3L	Blind plug for M12 sockets