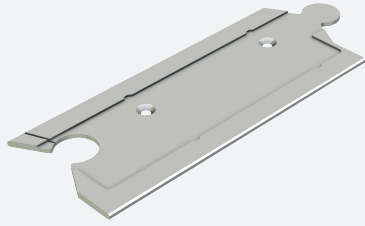


Countersunk profile rail

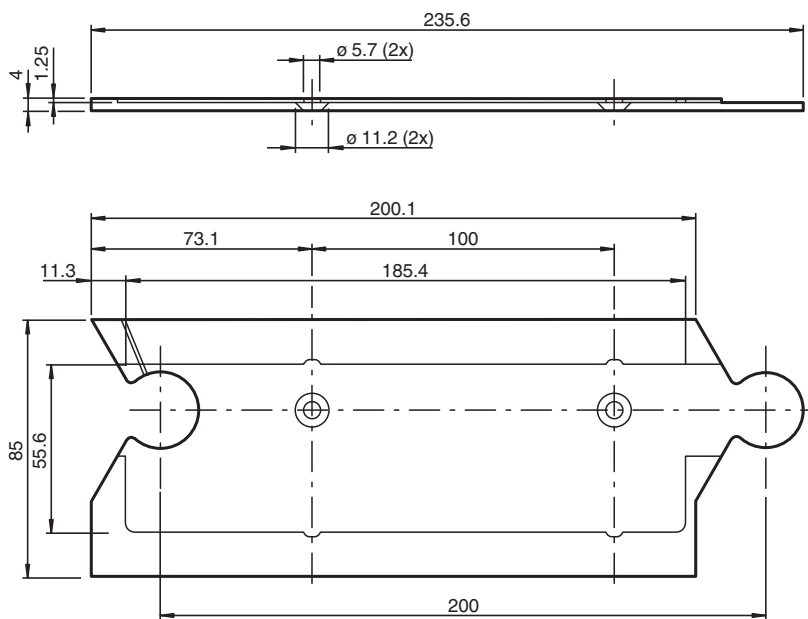
PGV-PR-GM-CONTROL200R



- Sturdy construction

Countersunk rail for creating endless rail sections and for additionally attaching a control code on the right-hand side

Dimensions



Technical Data

General specifications	
Length	235.6 mm
Width	85 mm
Ambient conditions	
Operating temperature	-40 ... 80 °C (-40 ... 176 °F)
Installation temperature	10 ... 40 °C (50 ... 104 °F)
Mechanical specifications	
Material thickness	4 mm
Material	AlMg4.5Mn0.7

Release date: 2023-01-11 Date of issue: 2023-01-12 Filename: 70151827_eng.pdf

Refer to "General Notes Relating to Pepperl+Fuchs Product Information".

Pepperl+Fuchs Group
www.pepperl-fuchs.com

USA: +1 330 486 0001
fa-info@us.pepperl-fuchs.com

Germany: +49 621 776 1111
fa-info@de.pepperl-fuchs.com

Singapore: +65 6779 9091
fa-info@sg.pepperl-fuchs.com

PF PEPPERL+FUCHS



Technical Data

Surface	ELOX-E0EV1-15
Mass	143 g

Mounting

Countersunk profile rails are embedded into a pre-milled groove in the floor. These are glued or screwed into the floor groove depending on the application. The milled floor groove is then grouted with suitable filler material. The groove for the countersunk profile rails must be protected against penetration of glue or filler material during installation. Once the filler material has dried out, the corresponding metal code bar is inserted into the countersunk profile rails via the self-adhesive rear side. If necessary, metal code bars that have been glued in can be replaced by levering them out.

Accessories

	PGV-PR-GM-CONT200	Countersunk rail for realization of continuous tracks
	PGV-PR-PROTECT200	Mounting protection strips for protecting the countersunk profile rails (200 mm) during installation in the floor.