

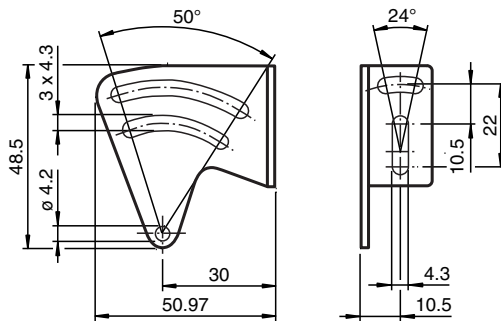
# Mounting aid OMH-VDM18-01



Mounting accessory, distance measuring devices Series VDM18



## Dimensions



## Technical Data

### Mechanical specifications

Material	Stainless steel
Mass	approx. 24 g
Mounting	Mounting accessories included
<b>Suitable series</b>	
Series	VDM18

Release date: 2020-03-23 Date of issue: 2020-06-29 Filename: 196145\_eng.pdf

Refer to "General Notes Relating to Pepperl+Fuchs Product Information".

Pepperl+Fuchs Group  
www.pepperl-fuchs.com

USA: +1 330 486 0001  
fa-info@us.pepperl-fuchs.com

Germany: +49 621 776 1111  
fa-info@de.pepperl-fuchs.com

Singapore: +65 6779 9091  
fa-info@sg.pepperl-fuchs.com

**PF** PEPPERL+FUCHS