



RFID Transponder

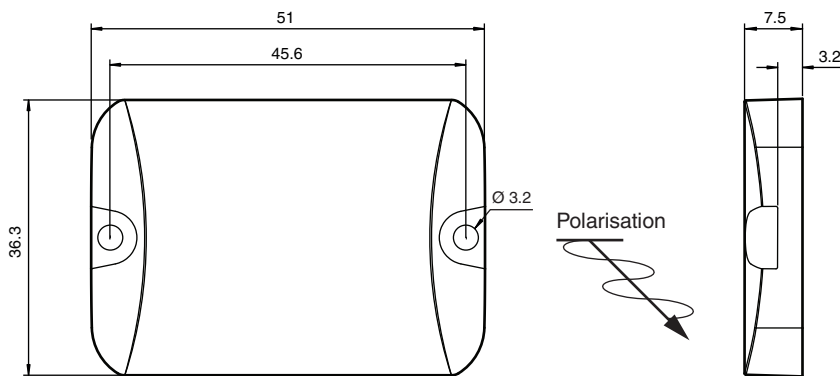
IUC76-F157-T18-M-FR1

- Operating frequency 865 ... 868 MHz
- Complies with EPC Gen2 (ISO/IEC 18000-63)
- Sturdy housing, suitable for rough industrial use
- Optimized for mounting on metal
- Designed for paint shop applications

Data carrier for paint shop applications



Dimensions



Technical Data

General specifications	
Operating frequency	865 ... 868 MHz
Polarization	linear
Memory	
Chip Type	Higgs-3 (Alien)
Memory Bank 00 (Reserved)	64 Bit
Memory Bank 01 (EPC/UII)	96 ... 480 Bit
Memory Bank 10 (TID)	96 Bit
Memory Bank 11 (User memory)	512 Bit
Read cycles	unlimited
Write cycles	> 100000
Data retention period	50 years @ 77 °C (170.6 °F)
Directive conformity	
Radio equipment	
Directive 2014/53/EU	EN 302208
RoHS	
Directive 2011/65/EU (RoHS)	IEC/EN 63000

Release date: 2022-11-28 Date of issue: 2022-11-28 Filename: 309730_eng.pdf

Refer to "General Notes Relating to Pepperl+Fuchs Product Information".

Technical Data

Standard conformity	
Degree of protection	EN 60529
RFID	ISO/IEC 18000-63
Ambient conditions	
Ambient temperature	-40 ... 85 °C (-40 ... 185 °F)
Storage temperature	-40 ... 150 °C (-40 ... 302 °F) 30 minutes at 250 °C (dry heat) for 600 test cycles, 1 hour cooling Peak temperature 6 hours at 250 °C (482 °F)
Shock and impact resistance	3 ft (1m) to concrete up to 200 cycles
Mechanical specifications	
Housing length	51 mm
Housing width	36.3 mm
Housing height	7.5 mm
Degree of protection	IP68
Material	
Housing	PA 6
Installation	
On metal	yes
Mass	28 g
Construction type	Rectangular type

Mounting

High temperatures will cause the housing to expand.
If the housing is assembled under mechanical stress, the resulting pressure may damage the tag.
Install the tag loosely to allow for expansion due to high temperatures.