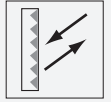




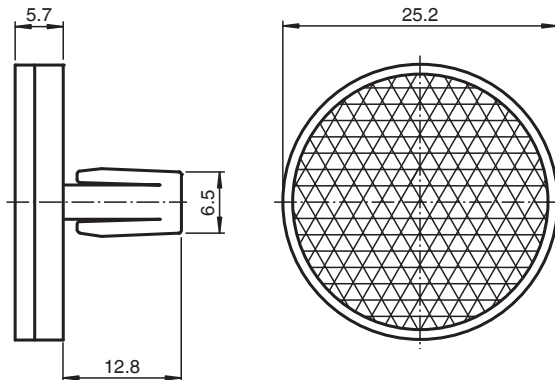
Reflector REF-CLIP25

- Simple installation with snap-in fastener



Reflector, round \varnothing 25.2 mm, snap-in

Dimensions



Technical Data

General specifications	
Construction type	circular
Ambient conditions	
Ambient temperature	-20 ... 85 °C (-4 ... 185 °F)
Mechanical specifications	
Material	PMMA/ABS
Dimensions	Diameter: 25.2 mm
Mounting	Snap-in

Release date: 2020-03-23 Date of issue: 2020-06-29 Filename: 113936_eng.pdf

Refer to "General Notes Relating to Pepperl+Fuchs Product Information".

Pepperl+Fuchs Group
www.pepperl-fuchs.com

USA: +1 330 486 0001
fa-info@us.pepperl-fuchs.com

Germany: +49 621 776 1111
fa-info@de.pepperl-fuchs.com

Singapore: +65 6779 9091
fa-info@sg.pepperl-fuchs.com

PF PEPPERL+FUCHS