

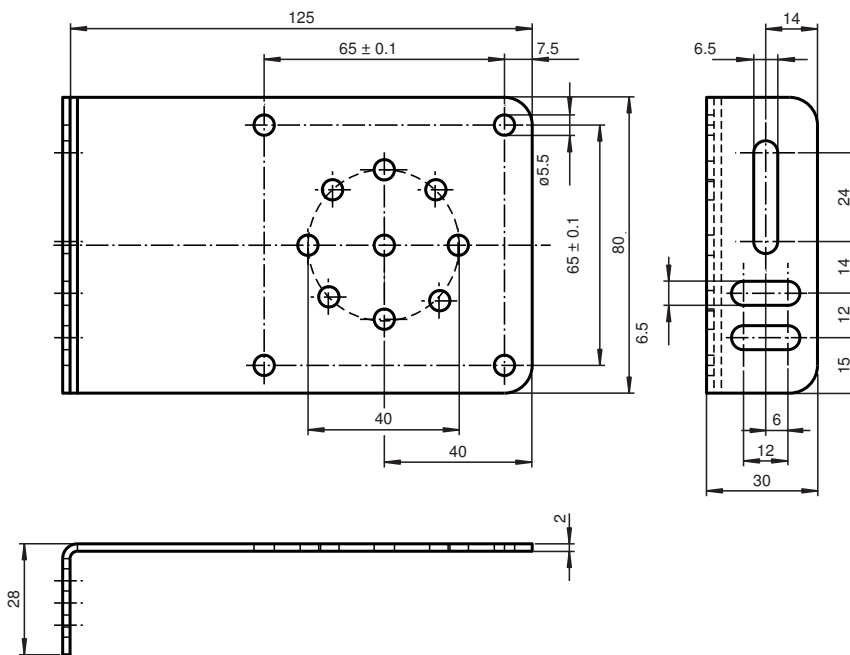
Mounting aid

MHW 11

- Suitable for series F42, FP, Varikont L, Varikont, BF 18 and BF 30

Mounting brackets for sensors

Dimensions



Release date: 2020-05-28 Date of issue: 2020-06-29 Filename: 129600_eng.pdf

Technical Data

Mechanical specifications

Material	Stainless steel
Mass	180 g

Refer to "General Notes Relating to Pepperl+Fuchs Product Information".

Pepperl+Fuchs Group
www.pepperl-fuchs.com

USA: +1 330 486 0001
fa-info@us.pepperl-fuchs.com

Germany: +49 621 776 1111
fa-info@de.pepperl-fuchs.com

Singapore: +65 6779 9091
fa-info@sg.pepperl-fuchs.com