



## Male connector, field-attachable

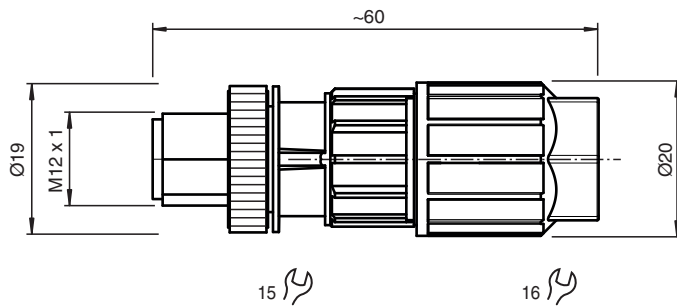
### V15S-G-Q3

- Insulation displacement connection
- Metal locking
- Knurled nut suitable for tool assembly

Male connector M12 straight A-coded 5-pin, for cable diameter 4 - 7 mm, field-attachable, insulation displacement connection



## Dimensions



## Technical Data

### General specifications

Connector 1	
Connection	plug
Construction type	M12
Style	straight
Locking	screw connection
Number of pins	5
Coding	A-coded

### Electrical specifications

Operating voltage	$U_B$	max. 48 V AC / 60 V DC
Operating current	$I_B$	max. 4 A
Insulation resistance		min. 100 M $\Omega$

### Conformity

Degree of protection	EN 60529
Plug connection	connector M12 x 1 : IEC 61076-2-101

### Ambient conditions

Release date: 2023-05-31 Date of issue: 2023-05-31 Filename: 70152942\_eng.pdf

Refer to "General Notes Relating to Pepperl+Fuchs Product Information".

Pepperl+Fuchs Group  
www.pepperl-fuchs.com

USA: +1 330 486 0001  
fa-info@us.pepperl-fuchs.com

Germany: +49 621 776 1111  
fa-info@de.pepperl-fuchs.com

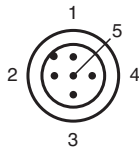
Singapore: +65 6779 9091  
fa-info@sg.pepperl-fuchs.com

PEPPERL+FUCHS

## Technical Data

Ambient temperature	-40 ... 85 °C (-40 ... 185 °F)
Pollution degree	3
<b>Mechanical specifications</b>	
Plug connector	
Tightening torque	0.4 Nm
Tool installation	straight knurling
Mating cycles	min. 100
Degree of protection	IP65
Connection	Insulation displacement connection for 0.14 ... 0.5 mm <sup>2</sup> / AWG 26 ... AWG 20
Cable	
Sheath diameter	4 ... 7 mm
Mass	20.5 g
<b>Material</b>	
Plug connector	
Screw connection	Zinc diecast, nickel-plated
Body	PA, black
Seal	FKM
Contact surface	Ni/Au
Flammability	V-0

## Connection Assignment



## Connection

