

Reflector

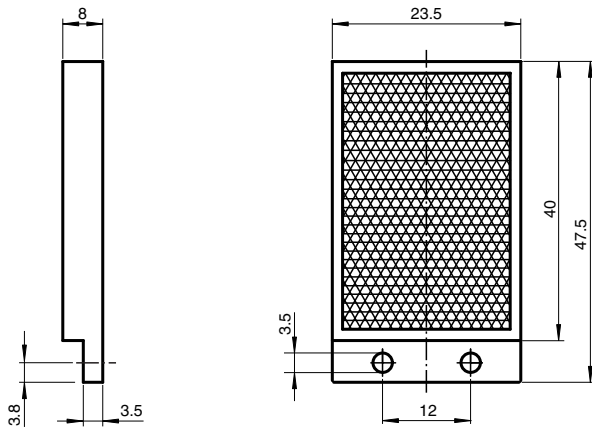
REF-H40 50pcs



- Mounting holes for simple installation
- Packaging unit: 50 pieces

Reflector, rectangular 47.5 mm x 23.5 mm, mounting holes, fixing strap

Dimensions



Technical Data

General specifications

Construction type rectangular

Ambient conditions

Ambient temperature -20 ... 60 °C (-4 ... 140 °F)

Mechanical specifications

Material PMMA/ABS

Dimensions 47.5 mm x 23.5 mm x 8 mm

Mounting mounting holes

Release date: 2021-07-30 Date of issue: 2021-07-30 Filename: 70141330_eng.pdf