



## Adapter cable

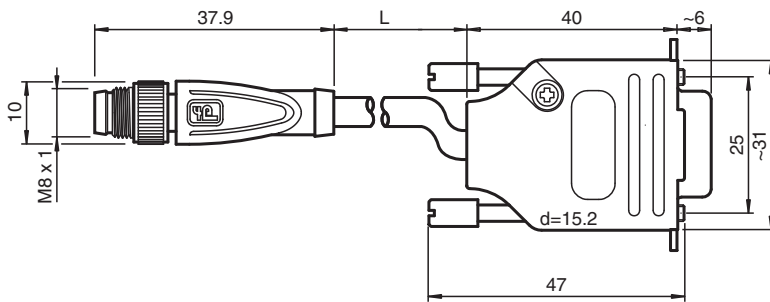
### V3S-GM-0,15M-PUR-ABG-SUBD

- EMC shielded
- Halogen-free
- Knurled nut suitable for tool assembly
- Immunity to vibration, with mechanical latching

Adapter cable M8 plug straight A-coded 3-pin to Sub-D-plug straight 9-pin, PUR cable grey, shielded, for PC connection with null modem cable



## Dimensions



## Technical Data

### General specifications

Connector 1	
Connection	plug
Construction type	M8
Style	straight
Locking	screw connection
Number of pins	3
Coding	A-coded
Connector 2	
Connection	plug
Construction type	Sub-D
Style	straight
Locking	screw connection
Number of pins	9
<b>Electrical specifications</b>	
Operating voltage	$U_B$ max. 48 V AC / 60 V DC

Release date: 2023-05-02 Date of issue: 2023-05-02 Filename: 228636\_eng.pdf

Refer to "General Notes Relating to Pepperl+Fuchs Product Information".

Pepperl+Fuchs Group  
www.pepperl-fuchs.com

USA: +1 330 486 0001  
fa-info@us.pepperl-fuchs.com

Germany: +49 621 776 1111  
fa-info@de.pepperl-fuchs.com

Singapore: +65 6779 9091  
fa-info@sg.pepperl-fuchs.com

PEPPERL+FUCHS

## Technical Data

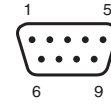
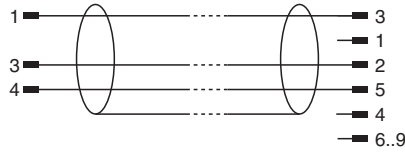
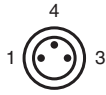
Operating current	$I_B$	max. 1.5 A
<b>Conformity</b>		
Degree of protection		EN 60529
Plug connection		connector M8 x 1 : IEC 61076-2-104 Connector Sub-D : IEC 807-2
Halogen-free		DIN VDE 0472-815 DIN EN 50267-2-1
<b>Ambient conditions</b>		
Ambient temperature		
Connector 1		-40 ... 90 °C (-40 ... 194 °F)
Connector 2		-55 ... 105 °C (-67 ... 221 °F)
Cable, fixed		-50 ... 105 °C (-58 ... 221 °F)
Cable, flexing		-30 ... 105 °C (-22 ... 221 °F)
Pollution degree		3
<b>Mechanical specifications</b>		
Connector 1		
Tightening torque		0.4 Nm
Loosening protection		available
Tool installation		straight knurling
Mating cycles		min. 100
Shielding		shield connected to screw connection
Degree of protection		IP67
Connector 2		
Loosening protection		screws UNC 4-40
Mating cycles		min. 100
Shielding		shield connected to connector
Degree of protection		IP20
Cable		
Sheath diameter		4.8 mm
Bending radius		> 10 x cable diameter, moving > 5 x cable diameter, fixed
Sheath stripping force		max. 100 N / 300 mm
Sheath color		grey (similar to RAL 7001)
Number of cores		4
Core cross section		0.34 mm <sup>2</sup>
Cores color		Core 1-3: white Core 2: not used Core 3-2: black Core 4-5: blue
Core construction		19 x 0.15 mm Ø
Shield		tinned copper braiding, 85 % coverage
Length	L	0.15 m
Cable code		Li 9Y 11YM 4 x 0.34
<b>Material</b>		
Halogen-free		yes
Connector 1		
Screw connection		Zinc diecast, nickel-plated
Body		TPU, black
Contact surface		Au
Flammability		V-2
Connector 2		
Body		Zinc diecast, nickel-plated
Contact surface		Au
Flammability		V-0
Cable		

Release date: 2023-05-02 Date of issue: 2023-05-02 Filename: 228636\_eng.pdf

### Technical Data

Sheathing	PUR based on polyether
Core insulation	PP
Chemical resistance	good

### Connection Assignment



Release date: 2023-05-02 Date of issue: 2023-05-02 Filename: 228636\_eng.pdf