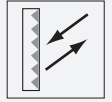




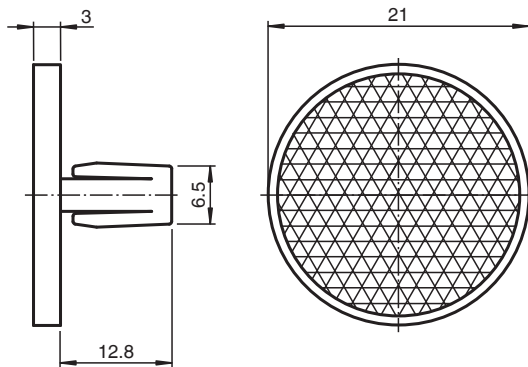
## Reflector with micro-structure REF-MCLIP21



- Simple installation with snap-in fastener
- Micro-structure

Reflector with Micro-structure, round  $\varnothing$  21 mm, snap-in

### Dimensions



### Technical Data

|                                  |                               |
|----------------------------------|-------------------------------|
| <b>General specifications</b>    |                               |
| Construction type                | circular                      |
| <b>Ambient conditions</b>        |                               |
| Ambient temperature              | -20 ... 85 °C (-4 ... 185 °F) |
| <b>Mechanical specifications</b> |                               |
| Material                         | PMMA/ABS                      |
| Dimensions                       | Diameter: 21 mm               |
| Mounting                         | Snap-in                       |

Release date: 2020-03-23 Date of issue: 2020-06-29 Filename: 113941\_eng.pdf

Refer to "General Notes Relating to Pepperl+Fuchs Product Information".

Pepperl+Fuchs Group  
www.pepperl-fuchs.com

USA: +1 330 486 0001  
fa-info@us.pepperl-fuchs.com

Germany: +49 621 776 1111  
fa-info@de.pepperl-fuchs.com

Singapore: +65 6779 9091  
fa-info@sg.pepperl-fuchs.com

**PF** PEPPERL+FUCHS