



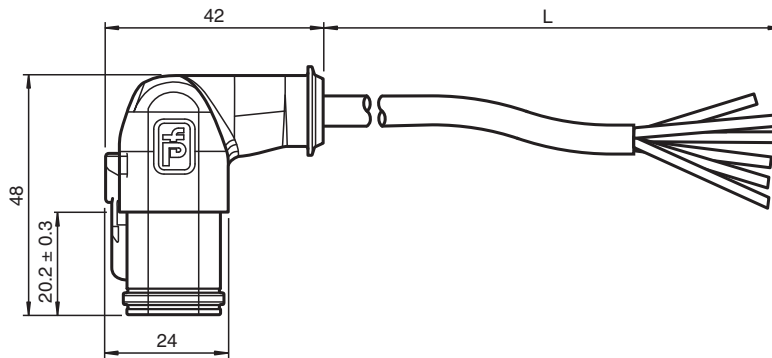
Female cordset DT6S-W-BK3M-PVC-U2

- Degree of protection IP68
- UV resistant
- Oil resistant
- Snap locking

Female cordset single-ended Deutsch socket angled, 6-pin, PVC cable black, oil resistant



Dimensions



Technical Data

General specifications

Connector 1		
Connection		socket
Construction type		Deutsch connectors
Style		angled
Locking		snap locking
Number of pins		6
Connector 2		
Connection		cable end

Electrical specifications

Operating voltage	U_B	max. 48 V AC / 60 V DC
Operating current	I_B	max. 8 A per contact

Conformity

Degree of protection		EN 60529
Flammability		UL 1581 , DIN EN 60332-1-2
Oil resistance		DIN EN 60811-2-1

Ambient conditions

Ambient temperature		
Plug connector		-40 ... 125 °C (-40 ... 257 °F)
Cable, fixed		-40 ... 105 °C (-40 ... 221 °F)

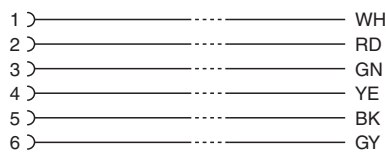
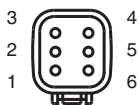
Release date: 2023-09-05 Date of issue: 2023-09-05 Filename: 305379_eng.pdf

Refer to "General Notes Relating to Pepperl+Fuchs Product Information".

Technical Data

Cable, flexing		-20 ... 105 °C (-4 ... 221 °F)
Pollution degree		3
Mechanical specifications		
Plug connector		
Loosening protection		available
Degree of protection		IP68
Cable		according to IEC/EN 60228 (DIN VDE 0295) class 6
Sheath diameter		7.6 mm
Bending radius		> 10 x cable diameter, moving > 5 x cable diameter, fixed
Sheath stripping force		max. 60 N / 300 mm
Sheath color		black (similar to RAL 9005)
Number of cores		6
Core cross section		0.5 mm ²
Cores color		Core 1: white Core 2: red Core 3: green Core 4: yellow Core 5: black Core 6: grey
Core construction		28 x 0.15 mm Ø
Length	L	3 m
Cable code		Li Y YM 6 x 0,5
Material		
Halogen-free		yes
Plug connector		
Body		PA, black
Contact surface		Ni
Flammability		V-2
Cable		
Sheathing		PVC
Core insulation		PVC
Oil resistance		yes
Flammability		FT1 , VW-1

Connection



Release date: 2023-09-05 Date of issue: 2023-09-05 Filename: 305379_eng.pdf