

Flexible metal conduit

MEC-VIM8-V4A-9.5

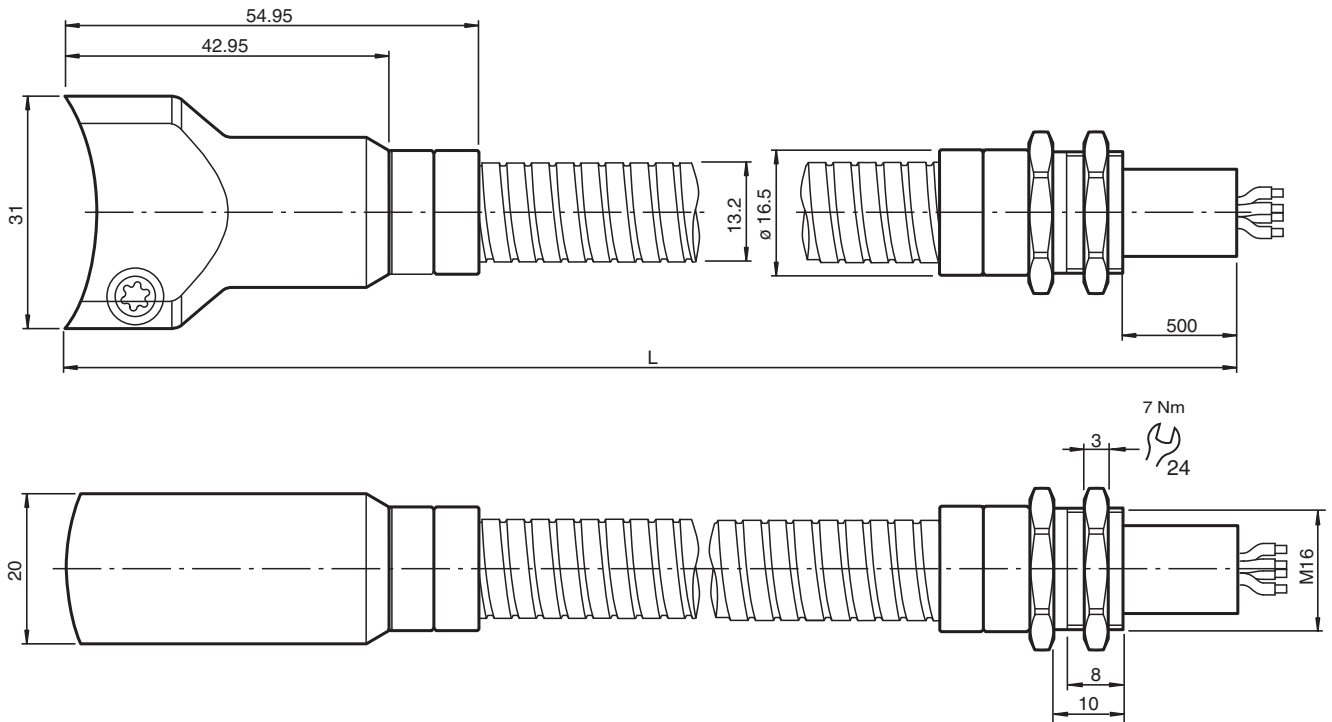


- Protection against contamination and damage
- Stainless steel version

Flexible metal conduit 9.5 m for VIM8 vibration sensors



Dimensions



Technical Data

General specifications

Suitable components VIM8* vibration sensors

Ambient conditions

Ambient temperature -40 ... 125 °C (-40 ... 257 °F)

Mechanical specifications

Cable gland

Thread type

metric

Thread size

M16 x 1.5

Height

20 mm

Width

31 mm

Release date: 2022-11-21 | Date of issue: 2022-11-21 | Filename: 70146312_eng.pdf

Refer to "General Notes Relating to Pepperl+Fuchs Product Information".

Pepperl+Fuchs Group
www.pepperl-fuchs.com

USA: +1 330 486 0001
fa-info@us.pepperl-fuchs.com

Germany: +49 621 776 1111
fa-info@de.pepperl-fuchs.com

Singapore: +65 6779 9091
fa-info@sg.pepperl-fuchs.com

PF PEPPERL+FUCHS

Technical Data

Length	L	9.5 m
Material		
Cable gland		Stainless steel 1.4404 / AISI 316L
Flexible metal conduit		Stainless steel 1.4404 / AISI 316L
Fastener		Stainless steel 1.4401 / AISI 316
Mass		1500 g

Release date: 2022-11-21 Date of issue: 2022-11-21 Filename: 70146312_eng.pdf

Refer to "General Notes Relating to Pepperl+Fuchs Product Information".

Pepperl+Fuchs Group
www.pepperl-fuchs.comUSA: +1 330 486 0001
fa-info@us.pepperl-fuchs.comGermany: +49 621 776 1111
fa-info@de.pepperl-fuchs.comSingapore: +65 6779 9091
fa-info@sg.pepperl-fuchs.com **PEPPERL+FUCHS**