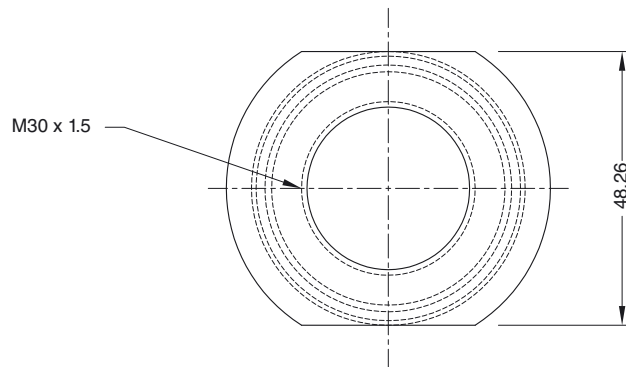
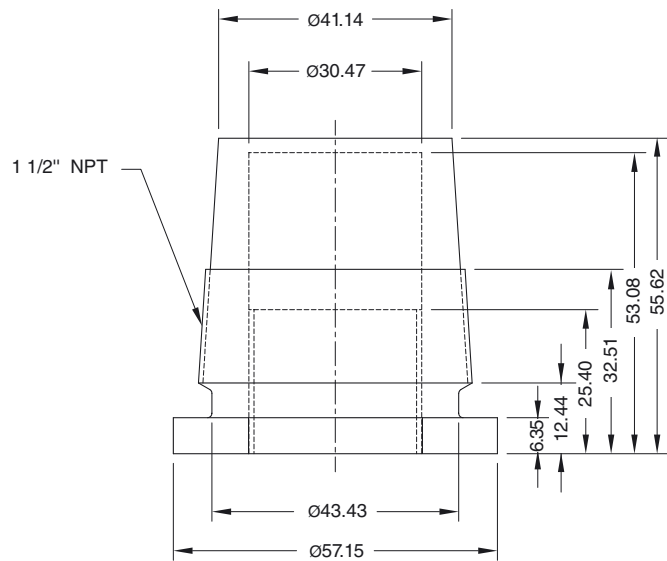




Dimensions



Model Number

MH M-104A/30MM

Sensor well

Features

- Keeps tanks sealed if sensor is removed

Technical data

Mechanical specifications

Material PTFE