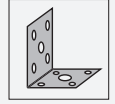


Mounting bracket VOS-IL-MH04



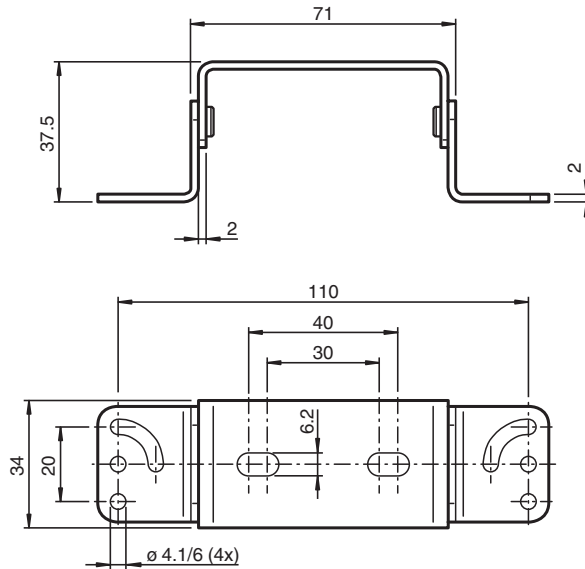
- Simple mounting

Mounting bracket for fastening VOS bar lighting to system profiles

Function

Mounting brackets allow lighting systems to be mounted directly to the sensors or the plant environment. The mounting versions can be customized individually and expanded flexibly, meaning that precise adjustment of the lighting angle and operating distance is ensured overall.

Dimensions



Technical Data

Mechanical specifications

Material	Stainless steel
Mass	110 g
Mounting	Mounting accessories included

Release date: 2022-08-25 Date of issue: 2022-08-25 Filename: 70142278_eng.pdf

Refer to "General Notes Relating to Pepperl+Fuchs Product Information".

Pepperl+Fuchs Group
www.pepperl-fuchs.com

USA: +1 330 486 0001
fa-info@us.pepperl-fuchs.com

Germany: +49 621 776 1111
fa-info@de.pepperl-fuchs.com

Singapore: +65 6779 9091
fa-info@sg.pepperl-fuchs.com

PF PEPPERL+FUCHS