

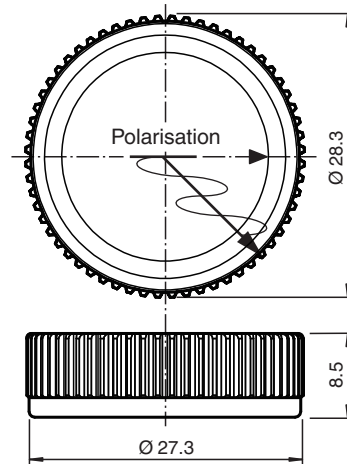


## RFID Transponder IUC76-28ST-M-FR2

- Operating frequency 902 ... 928 MHz
- Complies with EPC Gen2 (ISO/IEC 18000-63)
- Sturdy housing, suitable for rough industrial use
- Optimized for mounting in metal

RFID Transponder

### Dimensions



### Technical Data

#### General specifications

Operating frequency	902 ... 928 MHz
Polarization	linear

#### Memory

Chip Type	Higgs-3 (Alien)
Memory Bank 00 (Reserved)	64 Bit
Memory Bank 01 (EPC/Ull)	96 ... 480 Bit
Memory Bank 10 (TID)	96 Bit
Memory Bank 11 (User memory)	512 Bit
Read cycles	unlimited
Write cycles	> 100000
Data retention period	50 years @ 77 °C (170.6 °F)

#### Standard conformity

Degree of protection	EN 60529
RFID	ISO/IEC 18000-63

#### Ambient conditions

Ambient temperature	-40 ... 85 °C (-40 ... 185 °F)
---------------------	--------------------------------

Release date: 2021-11-08 Date of issue: 2021-11-08 Filename: 70119950\_eng.pdf

Refer to "General Notes Relating to Pepperl+Fuchs Product Information".

Pepperl+Fuchs Group  
www.pepperl-fuchs.com

USA: +1 330 486 0001  
fa-info@us.pepperl-fuchs.com

Germany: +49 621 776 1111  
fa-info@de.pepperl-fuchs.com

Singapore: +65 6779 9091  
fa-info@sg.pepperl-fuchs.com

**pepperl+fuchs**

**Technical Data**

Storage temperature	-50 ... 250 °C (-58 ... 482 °F)	
<b>Mechanical specifications</b>		
Housing height	8.5 mm	
Housing diameter	28 mm + 0.3 mm	
Degree of protection	IP69K	
Material		
Housing	Stainless steel	
Installation		
In metal	yes	
Mass	25.4 g	
Construction type	Cylindrical	
Note	observe mounting instructions	

Release date: 2021-11-08 Date of issue: 2021-11-08 Filename: 70119950\_eng.pdf

Refer to "General Notes Relating to Pepperl+Fuchs Product Information".

Pepperl+Fuchs Group  
www.pepperl-fuchs.com

USA: +1 330 486 0001  
fa-info@us.pepperl-fuchs.com

Germany: +49 621 776 1111  
fa-info@de.pepperl-fuchs.com

Singapore: +65 6779 9091  
fa-info@sg.pepperl-fuchs.com