

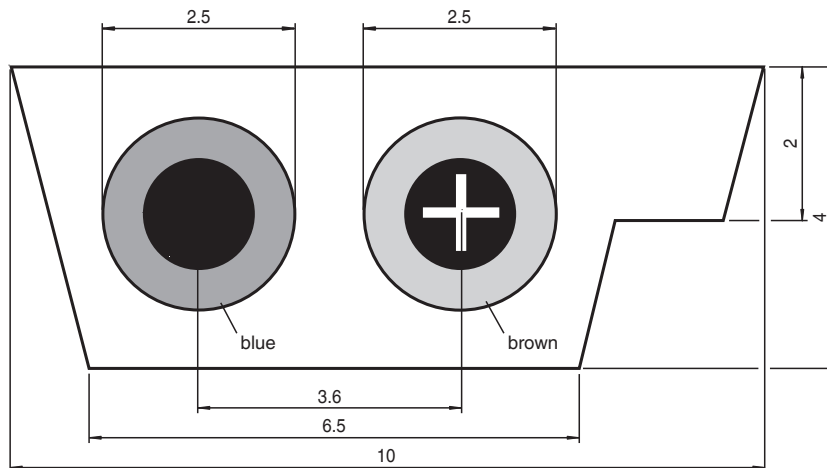
## AS-Interface flat cable VAZ-FK-PUR-YE-500M

- Oil resistant
- Cable piercing technique
- Resistant to environmental influence
- Resistant to bending
- Suitable for drag chains and abrasion resistant
- Reverse polarity protected due to the shape of the cable
- halogen-free, flame-proof outer shell on PUR basis

AS-Interface flat cable



### Dimensions



### Technical Data

<b>General specifications</b>	
UL File Number	E48408
<b>Electrical specifications</b>	
Nominal voltage	30.5 V
Current loading capacity	According to DIN VDE 0298 Part 4, Table 6, Column 4
<b>Ambient conditions</b>	
Ambient temperature	-40 ... 80 °C (-40 ... 176 °F)
<b>Mechanical specifications</b>	
Core cross section	Copper tin-plated, extra-fine wire, class 6 in accordance with DIN VDE 0295 cross-section 1.5 mm <sup>2</sup>
Bending radius	min. permissible bend radii in accordance with DIN VDE 0298 Part 3, Table 2 Bending stress only permitted on the wide side of the cable
Tension loading	max. 50 N/mm <sup>2</sup> on laying acc. to DIN VDE 0298 Part 3
Material	PUR (TMPU)
Core insulation	TPM
Cable	UL-Style 20549
Bending radius	> 60 mm
Color	yellow (similar to RAL 1012)

Release date: 2022-06-20 Date of issue: 2022-06-20 Filename: 248964\_eng.pdf

Refer to "General Notes Relating to Pepperl+Fuchs Product Information".

Pepperl+Fuchs Group  
www.pepperl-fuchs.com

USA: +1 330 486 0001  
fa-info@us.pepperl-fuchs.com

Germany: +49 621 776 1111  
fa-info@de.pepperl-fuchs.com


Singapore: +65 6779 9091  
fa-info@sg.pepperl-fuchs.com

PEPPERL+FUCHS

## Technical Data

Drag chain suitability		
Motion velocity		max. 3 m/s
Traverse distance		5 m
Acceleration		max. 5 m/s <sup>2</sup>
Torsion cycles		min. 500000
Cable length		500 m
Flammability		
Cable		Flame-retardant as per IEC 60332-1
Note		General weather resistance: Ozone and UV resistant

## Accessories

	<b>VAZ-FK-ED3</b>	AS-Interface end seal for flat cable
---	-------------------	--------------------------------------