

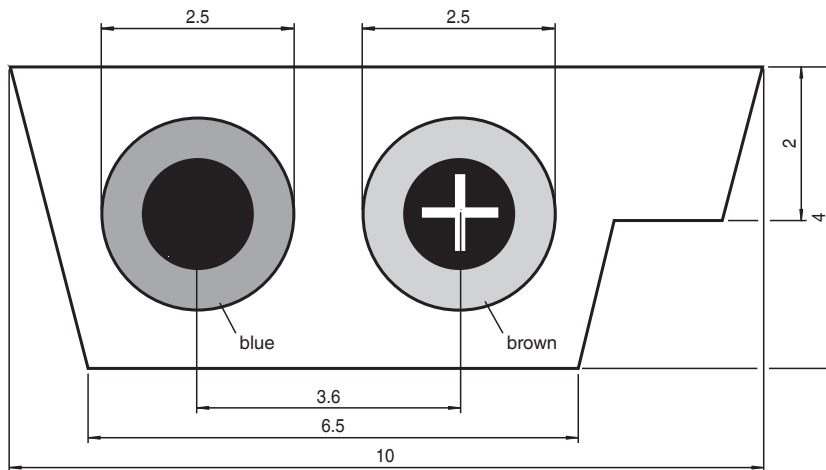
## AS-Interface flat cable VAZ-FK-S-YE-SAFETY

- Cable piercing technique
- Resistant to environmental influence
- Resistant to bending
- Reverse polarity protected due to the shape of the cable
- Halogen-free (PVC-free)
- Does not give off silicone
- Graduations in meters

### AS-Interface flat cable Safety



### Dimensions



### Technical Data

Electrical specifications	
Nominal voltage	30.5 V
Current loading capacity	According to DIN VDE 0298 Part 4, Table 6, Column 4
Ambient conditions	
Conductor temperature	Operating mode: 90 °C (363 K) Short-circuit: 200 °C (473 K)
Ambient temperature	-40 ... 85 °C (-40 ... 185 °F) at standstill, -25 ... 85 °C (-13 ... 185 °F) in motion
Mechanical specifications	
Core cross section	Copper tin-plated, extra-fine wire, class 6 in accordance with DIN VDE 0295 cross-section 1.5 mm <sup>2</sup>
Bending radius	min. permissible bend radii in accordance with DIN VDE 0298 Part 3, Table 2 Bending stress only permitted on the wide side of the cable
Tension loading	max. 50 N/mm <sup>2</sup> on laying acc. to DIN VDE 0298 Part 3
Material	EPDM Rubber compound EM3, based on DIN VDE 0207 Part 21
Core insulation	Rubber compound in accordance with DIN VDE 0207 Part 20
Cable	

Release date: 2022-06-20 Date of issue: 2022-06-20 Filename: 133618\_eng.pdf

Refer to "General Notes Relating to Pepperl+Fuchs Product Information".

Pepperl+Fuchs Group  
www.pepperl-fuchs.com

USA: +1 330 486 0001  
fa-info@us.pepperl-fuchs.com

Germany: +49 621 776 1111  
fa-info@de.pepperl-fuchs.com


Singapore: +65 6779 9091  
fa-info@sg.pepperl-fuchs.com

PEPPERL+FUCHS

## Technical Data

Color	yellow (similar to RAL 1012) black SAFETY print
Cable length	100 m
Note	The cable is intended for use as a bus power line in inside areas. Only cable with a black sheathing is suitable for outside use.

## Accessories

	<b>VAZ-FK-ED3</b>	AS-Interface end seal for flat cable
---	-------------------	--------------------------------------