

RFID Transponder

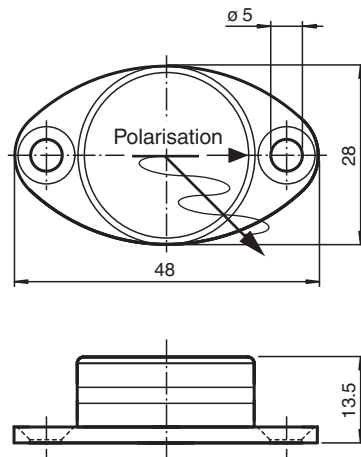
IUC76-28FST-M-FR2



- Operating frequency 902 ... 928 MHz
- Complies with EPC Gen2 (ISO/IEC 18000-63)
- Sturdy housing, suitable for rough industrial use
- Optimized for mounting on metal
- For autoclave applications

Data carrier for autoclave applications

Dimensions



Technical Data

General specifications	
Operating frequency	902 ... 928 MHz
Polarization	linear
Memory	
Chip Type	Higgs-3 (Alien)
Memory Bank 00 (Reserved)	64 Bit
Memory Bank 01 (EPC/UII)	96 ... 480 Bit
Memory Bank 10 (TID)	96 Bit
Memory Bank 11 (User memory)	512 Bit
Read cycles	unlimited
Write cycles	> 100000
Data retention period	50 years @ 77 °C (170.6 °F)
Standard conformity	
Degree of protection	EN 60529
RFID	ISO/IEC 18000-63
Ambient conditions	
Ambient temperature	-40 ... 85 °C (-40 ... 185 °F)

Release date: 2021-11-08 Date of issue: 2021-11-08 Filename: 70113515_eng.pdf

Refer to "General Notes Relating to Pepperl+Fuchs Product Information".

Pepperl+Fuchs Group
www.pepperl-fuchs.com

USA: +1 330 486 0001
fa-info@us.pepperl-fuchs.com

Germany: +49 621 776 1111
fa-info@de.pepperl-fuchs.com

Singapore: +65 6779 9091
fa-info@sg.pepperl-fuchs.com

 PEPPERL+FUCHS

Technical Data

Storage temperature	-40 ... 150 °C (-40 ... 302 °F) 6 hours at 250 °C (dry heat) for 30 test cycles, 18 hour cooling
Shock and impact resistance	1 m (3 ft) on concrete, up to 100 cycles
Mechanical specifications	
Housing length	48 mm
Housing width	28 mm
Housing height	13.5 mm
Degree of protection	IP69K
Material	
Housing	Stainless steel
Installation	
On metal	yes
Mass	44 g
Construction type	Special Design