



## Adapter cable

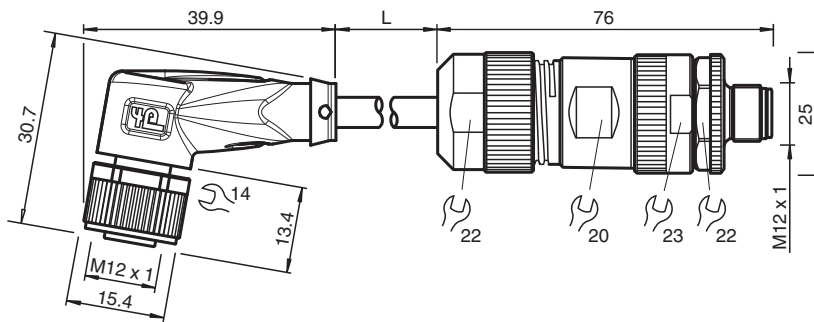
V1-W-0,8M-PUR-U/0,75-V15L-G-Y1

- Suitable for drag chains and abrasion resistant
- Degree of protection IP68 / IP69
- Resistant to microbes and hydrolysis
- UV resistant
- UL listed for USA and Canada
- Halogen-free
- Specific design protects against loosening and inaccurate installation
- Customer-specific configuration

Adapter cable M12 socket angled A-coded 4-pin to M12 plug straight L-coded 5-pin, PUR cable black, UL approved, drag chain suitable



## Dimensions



## Technical Data

### General specifications

Customization	customer-specific pin assignment	
Connector 1		
Connection	plug	
Construction type	M12	
Style	angled	
Locking	screw connection	
Number of pins	4	
Coding	A-coded	
Connector 2		
Connection	plug	
Construction type	M12	
Style	straight	
Locking	screw connection	
Number of pins	5	
Coding	L-coded	

### Electrical specifications

Operating voltage	$U_B$	max. 48 V AC / 60 V DC
Operating current	$I_B$	max. 4 A

### Conformity

Degree of protection	EN 60529
----------------------	----------

Release date: 2023-12-08 Date of issue: 2023-12-08 Filename: 70161762\_eng.pdf

Refer to "General Notes Relating to Pepperl+Fuchs Product Information".

Pepperl+Fuchs Group  
www.pepperl-fuchs.com

USA: +1 330 486 0001  
fa-info@us.pepperl-fuchs.com

Germany: +49 621 776 1111  
fa-info@de.pepperl-fuchs.com

Singapore: +65 6779 9091  
fa-info@sg.pepperl-fuchs.com

**PF** PEPPERL+FUCHS

## Technical Data

Plug connection	connector M12 x 1 : IEC 61076-2-101	
Halogen-free	IEC 60754-1	
<b>Approvals and certificates</b>		
UL approval	AWM STYLE 20549 AWM I/II A/B 80°C 300V FT2 (cable)	
UL File Number	E231213	
<b>Ambient conditions</b>		
Ambient temperature		
Connector 1	-40 ... 90 °C (-40 ... 194 °F)	
Connector 2	-40 ... 105 °C (-40 ... 221 °F)	
Cable, fixed	-40 ... 80 °C (-40 ... 176 °F)	
Cable, flexing	-20 ... 80 °C (-4 ... 176 °F)	
Pollution degree	3	
<b>Mechanical specifications</b>		
Connector 1		
Tightening torque	0.6 Nm	
Loosening protection	available	
Tool installation	straight knurling and hexagon nut SW = 14 mm	
Mating cycles	min. 100	
Degree of protection	IP68 / IP69	
Connector 2		
Tightening torque	0.6 Nm	
Tool installation	straight knurling and hexagon nut SW = 22 mm	
Mating cycles	min. 100	
Degree of protection	IP67	
Cable		
according to IEC/EN 60228 (DIN VDE 0295) class 6		
Sheath diameter	6 mm	
Bending radius	> 10 x cable diameter, moving > 5 x cable diameter, fixed	
Sheath stripping force	max. 50 N / 300 mm	
Sheath color	black (similar to RAL 9005)	
Number of cores	5	
Core cross section	0.75 mm <sup>2</sup>	
Cores color	Core 1: brown Core 2: not used Core 3: blue Core 4: not used Core 5: not used	
Core construction	42 x 0.15 mm Ø	
Length	L	0.8 m
Cable code	Li F 9Y 11Y 5 x 0,75	
Drag chain suitability		
Drag chain cycles	min. 2000000	
Motion velocity	max. 3.3 m/s	
Traverse distance	max. 5 m	
Acceleration	max. 5 m/s <sup>2</sup>	
Torsional stress	± 180 °/m	
<b>Material</b>		
Halogen-free	yes	
Connector 1		
Screw connection	Zinc diecast, nickel-plated	
Body	TPU, black	
Contact surface	gold plated (Au)	
Flammability	V-2	
Connector 2		
Screw connection	CuZn, nickel-plated	

Release date: 2023-12-08 Date of issue: 2023-12-08 Filename: 70161762\_eng.pdf

Refer to "General Notes Relating to Pepperl+Fuchs Product Information".

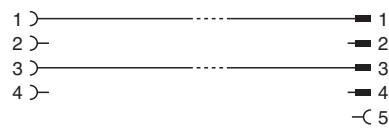
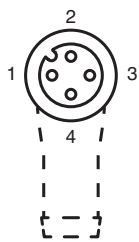
Pepperl+Fuchs Group  
www.pepperl-fuchs.comUSA: +1 330 486 0001  
fa-info@us.pepperl-fuchs.comGermany: +49 621 776 1111  
fa-info@de.pepperl-fuchs.comSingapore: +65 6779 9091  
fa-info@sg.pepperl-fuchs.com

**PEPPERL+FUCHS**

### Technical Data

Body	PA, black
Contact surface	gold plated (Au)
Flammability	V-0
Cable	
Sheathing	PUR based on polyether
Core insulation	PP
UV resistance	yes
Oil resistance	yes
Microbial resistance	yes
Hydrolysis resistance	yes
Flammability	FT2

### Connection Assignment



Release date: 2023-12-08 Date of issue: 2023-12-08 Filename: 70161762\_eng.pdf