

## Base for read/write station

### U-P4-R4

- Degree of protection IP67
- Simple bus system with up to 30 units
- Serial interface RS 485, addressable

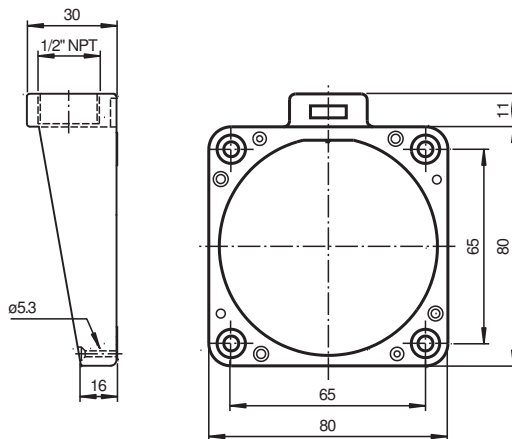
Base with addressable serial Interface RS 485



## Function

The base is used in combination with an upper part, the IPT\*-FP read/write station. An addressable RS 485 interface is available. It is thus possible to create a simple bus connection with up to 30 subscribers. The address is set and the terminating resistor for the bus is connected via DIP switches. The read/write station is connected to a higher-order control system via the serial interface and receives the commands for writing and/or reading code or data carriers via this interface.

## Dimensions



## Technical Data

### Indicators/operating means

DIP switch	Setting the station address bus connection ON = active OFF = non-active
------------	---

### Electrical specifications

Rated operating voltage	$U_e$	20 ... 30 V DC , ripple 10 % <sub>SS</sub> , PELV
Power consumption	$P_0$	max. 4 W with read/write head IPT*-FP

### Galvanic isolation

Operating voltage/interface	functional insulation acc. to DIN EN 50178, rated insulation voltage 50 V <sub>eff</sub>
-----------------------------	--

### Interface

Physical	RS-485, addressable , up to 30 bases , address 1 ... 30
----------	---

## Technical Data

Protocol	ASCII
Transfer rate	1200; 2400; 4800; 9600; 19200; 38400 Bit/s
Cable length	≤ 1200 m
<b>Ambient conditions</b>	
Ambient temperature	-25 ... 70 °C (-13 ... 158 °F)
Storage temperature	-40 ... 85 °C (-40 ... 185 °F)
<b>Mechanical specifications</b>	
Degree of protection	IP67 according to EN 60529 with IPT*-FP
Connection	screw terminals
Interface cable	2 conductor, acc. to RS-485
Supply	up to 3 x 1.5 mm <sup>2</sup>
Material	
Housing	diecast aluminum

## Connection

