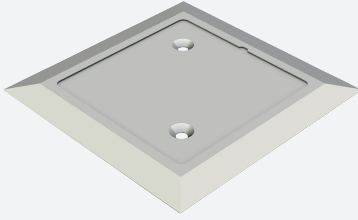


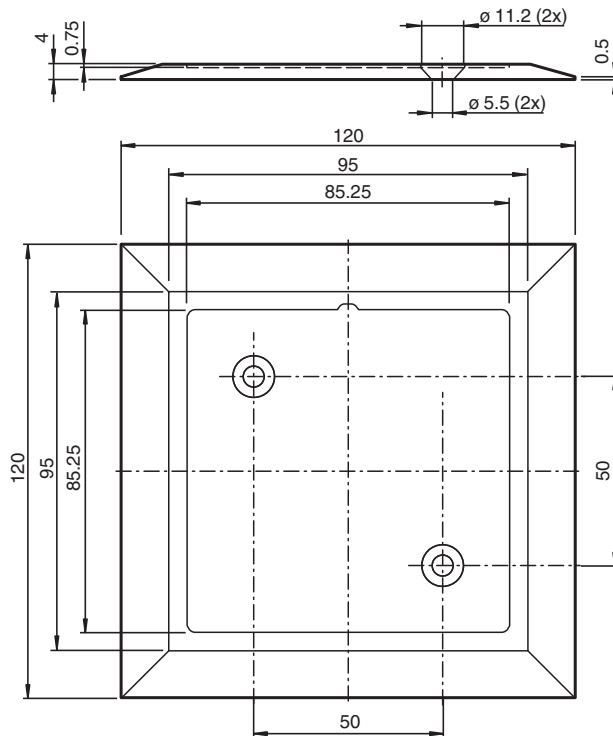
# Drive-over profile plate PGV-PP-SM-TAGM4x4



- Sturdy construction

Drive-over plate to mounting on the floor

## Dimensions



## Technical Data

### General specifications

Length	120 mm
Width	120 mm

### Ambient conditions

Operating temperature	-40 ... 80 °C (-40 ... 176 °F)
Installation temperature	10 ... 40 °C (50 ... 104 °F)

### Mechanical specifications

Material thickness	4 mm
Material	AlMg4.5Mn0.7
Surface	ELOX-E0EV1-15

Release date: 2022-07-04 Date of issue: 2022-07-04 Filename: 70132461\_eng.pdf

Refer to "General Notes Relating to Pepperl+Fuchs Product Information".

Pepperl+Fuchs Group  
www.pepperl-fuchs.com

USA: +1 330 486 0001  
fa-info@us.pepperl-fuchs.com

Germany: +49 621 776 1111  
fa-info@de.pepperl-fuchs.com

Singapore: +65 6779 9091  
fa-info@sg.pepperl-fuchs.com

**PF** PEPPERL+FUCHS

## Technical Data

Mass	112 g
------	-------

## Mounting

Drive-over profile plates are screwed directly to the floor. Alternatively, the drive-over profile plates can be glued to the subfloor. The corresponding metal control code bar is then inserted into the drive-over profile rails via the self-adhesive rear side. If necessary, metal control code bars that have been glued in can be replaced by levering them out.