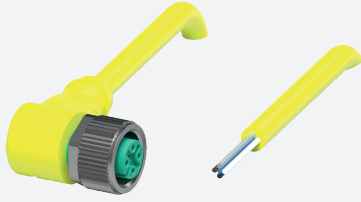


# Female cordset

## V15-W-S-YE1M-PUR-A1

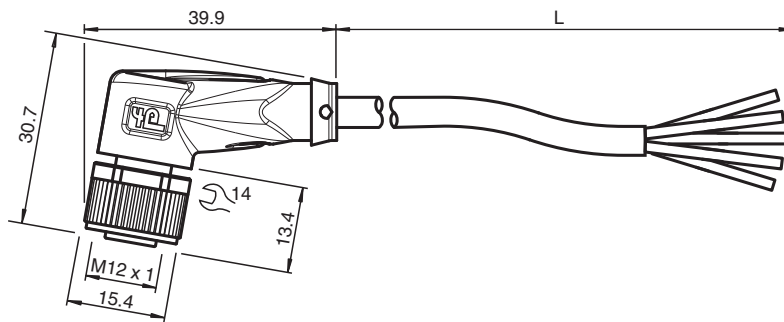


- Improved resistance to weld slag
- Suitable for drag chains and abrasion resistant
- Suitable for robotic applications / torsion resistant
- Degree of protection IP68 / IP69
- Free of paint wetting interfering substances
- Resistant to microbes and hydrolysis
- UL listed for USA and Canada
- Halogen-free
- Meets the VASS6 standard
- Specific design protects against loosening and inaccurate installation

Female cordset single-ended M12 angled A-coded, 5-pin, PUR cable welding-bead resistant yellow, UL approved, drag chain suitable, torsion resistant



### Dimensions



### Technical Data

| General specifications    |       |                                     |  |
|---------------------------|-------|-------------------------------------|--|
| Connector 1               |       |                                     |  |
| Connection                |       | socket                              |  |
| Construction type         |       | M12                                 |  |
| Style                     |       | angled                              |  |
| Locking                   |       | screw connection                    |  |
| Number of pins            |       | 5                                   |  |
| Coding                    |       | A-coded                             |  |
| Connector 2               |       |                                     |  |
| Connection                |       | cable end                           |  |
| Electrical specifications |       |                                     |  |
| Operating voltage         | $U_B$ | max. 48 V AC / 60 V DC              |  |
| Operating current         | $I_B$ | max. 4 A                            |  |
| Conformity                |       |                                     |  |
| Degree of protection      |       | EN 60529                            |  |
| Plug connection           |       | connector M12 x 1 : IEC 61076-2-101 |  |
| Flammability              |       | UL 1581; DIN EN 60332-2-2           |  |
| PWIS conformity           |       | VW-PV 3.10.7                        |  |
| Halogen-free              |       | DIN VDE 0472-815                    |  |

Release date: 2023-11-09 Date of issue: 2023-11-09 Filename: 70128170-100100\_eng.pdf

Refer to "General Notes Relating to Pepperl+Fuchs Product Information".

Pepperl+Fuchs Group  
www.pepperl-fuchs.com

USA: +1 330 486 0001  
fa-info@us.pepperl-fuchs.com

Germany: +49 621 776 1111  
fa-info@de.pepperl-fuchs.com

Singapore: +65 6779 9091  
fa-info@sg.pepperl-fuchs.com

**PF** PEPPERL+FUCHS

## Technical Data

|                                   |   |   |
|-----------------------------------|---|---|
| Oil resistance                    |   | DIN EN 60811-2-1  |
| <b>Approvals and certificates</b> |   |   |
| UL approval                       |   | AWM STYLE 20549 AWM I/II A/B 80°C 300V FT2 (cable)                              |
| UL File Number                    |   | E231213   |
| <b>Ambient conditions</b>         |   |   |
| Ambient temperature               |   |   |
| Plug connector                    |   | -40 ... 90 °C (-40 ... 194 °F)  |
| Cable, fixed                      |   | -40 ... 80 °C (-40 ... 176 °F)  |
| Cable, flexing                    |   | -25 ... 80 °C (-13 ... 176 °F)  |
| Pollution degree                  |   | 3   |
| <b>Mechanical specifications</b>  |   |   |
| Plug connector                    |   |   |
| Tightening torque                 |   | 0.6 Nm  |
| Loosening protection              |   | available   |
| Tool installation                 |   | straight knurling and hexagon nut SW = 14 mm                                    |
| Mating cycles                     |   | min. 100  |
| Degree of protection              |   | IP68 / IP69   |
| Cable                             |   | according to IEC/EN 60228 (DIN VDE 0295) class 6                                |
| Sheath diameter                   |   | 5.3 mm  |
| Bending radius                    |   | > 10 x cable diameter, moving<br>> 5 x cable diameter, fixed                    |
| Sheath stripping force            |   | max. 80 N / 300 mm  |
| Sheath color                      |   | yellow (similar to RAL 1021)  |
| Number of cores                   |   | 5   |
| Core cross section                |   | 0.34 mm <sup>2</sup>  |
| Cores color                       |   | Core 1: brown<br>Core 2: white<br>Core 3: blue<br>Core 4: black<br>Core 5: grey |
| Core construction                 |   | 42 x 0.1 mm Ø   |
| Length                            | L | 1 m   |
| Cable code                        |   | Li F 9Y 11Y 5 x 0,34  |
| <b>Drag chain suitability</b>     |   |   |
| Drag chain cycles                 |   | min. 5000000  |
| Motion velocity                   |   | max. 3 m/s  |
| Traverse distance                 |   | max. 5 m  |
| Acceleration                      |   | max. 5 m/s <sup>2</sup>   |
| Torsion cycles                    |   | min. 1000000  |
| Torsional stress                  |   | ± 180 °/m   |
| <b>Material</b>                   |   |   |
| PWIS free                         |   | yes   |
| Halogen-free                      |   | yes   |
| <b>Plug connector</b>             |   |   |
| Screw connection                  |   | Zinc diecast, nickel-plated   |
| Body                              |   | TPU, yellow   |
| Seal                              |   | FKM   |
| Contact surface                   |   | gold plated (Au)  |
| Flammability                      |   | V-2   |
| <b>Cable</b>                      |   |   |
| Sheathing                         |   | PUR based on polyether  |
| Core insulation                   |   | PP  |
| Welding-bead resistance           |   | yes   |
| Weld spatter resistance           |   | yes   |
| Chemical resistance               |   | good  |

Release date: 2023-11-09 Date of issue: 2023-11-09 Filename: 70128170-100100\_eng.pdf

Refer to "General Notes Relating to Pepperl+Fuchs Product Information".

 Pepperl+Fuchs Group  
www.pepperl-fuchs.com

 USA: +1 330 486 0001  
fa-info@us.pepperl-fuchs.com

 Germany: +49 621 776 1111  
fa-info@de.pepperl-fuchs.com

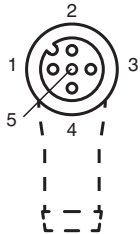
 Singapore: +65 6779 9091  
fa-info@sg.pepperl-fuchs.com

 **PEPPERL+FUCHS**

## Technical Data

|                              |     |
|------------------------------|-----|
| Oil resistance               | yes |
| Cooling lubricant resistance | yes |
| Microbial resistance         | yes |
| Hydrolysis resistance        | yes |
| Flammability                 | FT2 |

## Connection



- 1 ) ..... BN
- 2 ) ..... WH
- 3 ) ..... BU
- 4 ) ..... BK
- 5 ) ..... GY

Release date: 2023-11-09 Date of issue: 2023-11-09 Filename: 70128170-100100\_eng.pdf