



Model number

U-G1FA

AS-Interface module mounting base with addressing jack for connection to flat cable (AS-Interface)

Function

The U-G1FA lower section makes it possible to connect slaves from the G1 and G4 series to the AS-Interface without an additional power supply (EMS). It features two connections to the AS-Interface which are linked together. In this way it can serve as a distributor from one AS-Interface arm to another. When an upper section (module or VAZ-DK-G1 cover) is mounted, the flat cables are pressed into the insulation penetration blades, thus creating a contact.

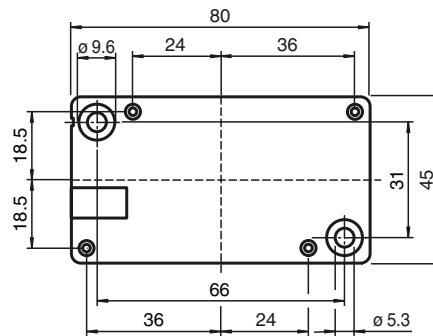
Furthermore, an addressing jack is also integrated; the upper section can be addressed in the wired AS-Interface network using this jack. In this case the controller registers "Alarm Config", as the slave is disconnected from the mains. Once the addressing jack has been removed, the controller restarts automatically again.

Accessories

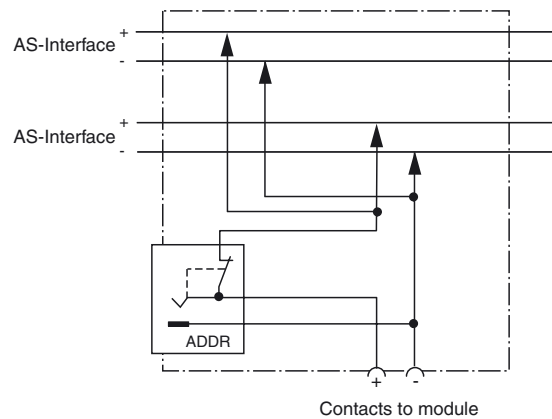
VAZ-DK-G1

Cover for bases -G1F- and -G1P-

Dimensions



Electrical connection



Technical data

General specifications

UL File Number	E223772
----------------	---------

Electrical specifications

Current loading capacity	≤ 2 A for max. 40 V
--------------------------	---------------------

Ambient conditions

Ambient temperature	-25 ... 60 °C (-13 ... 140 °F)
Storage temperature	-25 ... 85 °C (-13 ... 185 °F)

Mechanical specifications

Degree of protection	IP67 according to EN 60529 (only in connection with module or cover)
Connection	2 AS-Interface flat cables
Material	
Housing	PBT
Dimensions	about 80, 45, 20 mm (L, W, H)
Mounting	DIN rail or screw mounting

Matching system components**VAA-2E-G4-SN**

G4 PG module IP67
safety module with 2 inputs

VBA-4E-G4-Pt100

G4 module IP65
4 inputs for Pt100

VAA-4A-G1-R

Standard module IP67
4 relay outputs

VAA-2EA-G1-ZE/P-S

Pneumatic module
2 inputs/2 pneumatic outputs

VAA-4E2A-G1-ZE/P-S

Pneumatic module
4 inputs/2 pneumatic outputs

VBA-4E2A-G1-ZE/P-S

Pneumatic module
4 inputs/2 pneumatic outputs

VAA-2*2E-G1-AE

Standard module IP67
2 x 2 inputs (PNP)

VAA-4E-G4-Z

G4 module IP67
4 inputs (2-wire)

VAA-4E-G1-ZE

Standard module IP67
4 inputs (PNP)

VAA-LT2-G1

Illuminated pushbutton module

VBA-LT2-G1

Illuminated pushbutton module

VBA-LT2-G1-Y

Illuminated pushbutton module

VBA-4E-G4-ZE

G4 module IP67
4 inputs (PNP)

VAA-4E-G4-ZE-IFM

G4 module IP67
4 inputs (PNP)

VAA-4E-G4-ZE

G4 module IP67
4 inputs (PNP)

VAA-4E-G4-N

G4 module IP67
4 inputs (NAMUR)

VAA-4E-G4-ZE0

G4 module IP67
4 inputs (NPN)

VAA-2EA-G1-ZE/P-V2A

Pneumatic module
2 inputs/2 pneumatic outputs