



# Diffuse mode sensor

## ML17-8-450/33/115/136-10M

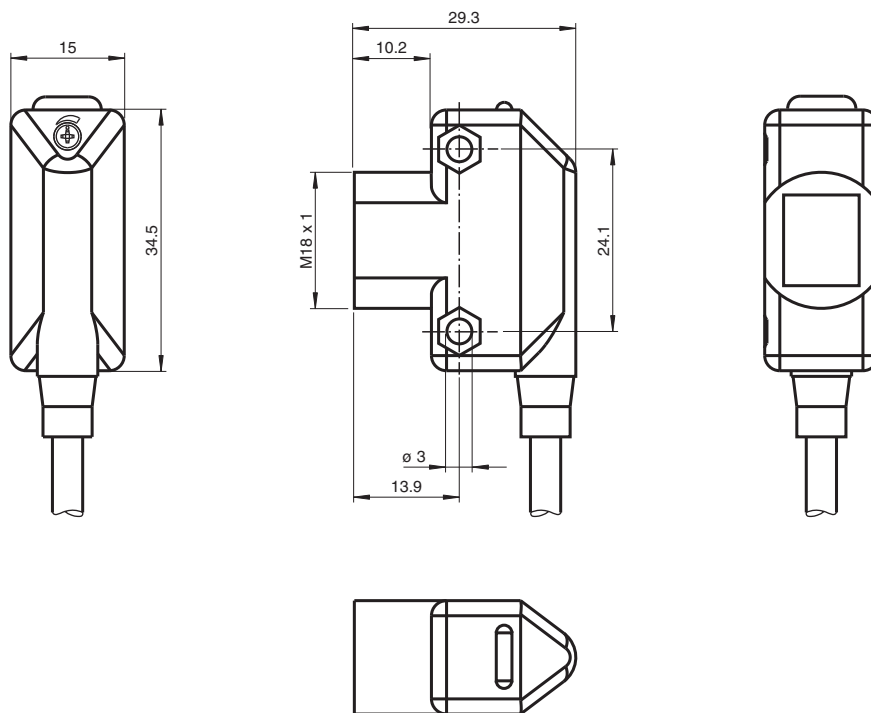


- Compact, versatile housing
- 360° high visibility LEDs
- Adjustable sensing range
- 4-in-1 output (push-pull)
- 10 m cable length

Diffuse mode sensor



### Dimensions



### Technical Data

#### General specifications

Detection range	10 ... 450 mm
Adjustment range	60 ... 450 mm
Reference target	standard white, 100 mm x 100 mm
Light source	IRED

Release date: 2023-03-28 Date of issue: 2023-03-28 Filename: 70136759\_eng.pdf

Refer to "General Notes Relating to Pepperl+Fuchs Product Information".

Pepperl+Fuchs Group  
www.pepperl-fuchs.com

USA: +1 330 486 0001  
fa-info@us.pepperl-fuchs.com

Germany: +49 621 776 1111  
fa-info@de.pepperl-fuchs.com

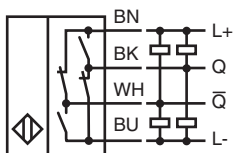
Singapore: +65 6779 9091  
fa-info@sg.pepperl-fuchs.com

**PF** PEPPERL+FUCHS

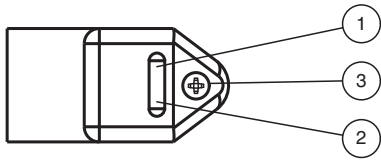
## Technical Data

Light type	modulated infrared light , 950 nm	
Ambient light limit		≤ 10000 Lux
<b>Indicators/operating means</b>		
Operation indicator		LED green
Function indicator		LED yellow, lights up with receiver lit
Control elements		Sensing range adjuster
<b>Electrical specifications</b>		
Operating voltage	$U_B$	10 ... 30 V DC , class 2
Ripple		max. 10 %
No-load supply current	$I_0$	< 25 mA
Time delay before availability	$t_v$	≤ 200 ms
<b>Output</b>		
Switching type		light/dark on
Signal output		2 push-pull (4 in 1) outputs, short-circuit protected, reverse polarity protected, overvoltage protected
Switching voltage		max. 30 V DC
Switching current		max. 100 mA per output
Voltage drop	$U_d$	≤ 2.5 V DC
Switching frequency	$f$	500 Hz
Response time		≤ 1 ms
<b>Conformity</b>		
Product standard		EN 60947-5-2
<b>Approvals and certificates</b>		
UL approval		cULus
CCC approval		CCC approval / marking not required for products rated ≤36 V
<b>Ambient conditions</b>		
Ambient temperature		-20 ... 55 °C (-4 ... 131 °F)
Storage temperature		-20 ... 70 °C (-4 ... 158 °F)
<b>Mechanical specifications</b>		
Housing width		15 mm
Housing height		34.5 mm
Degree of protection		IP67
Connection		10 m fixed cable
<b>Material</b>		
Housing		ABS
Optical face		Acrylic
Mass		approx. 190 g

## Connection

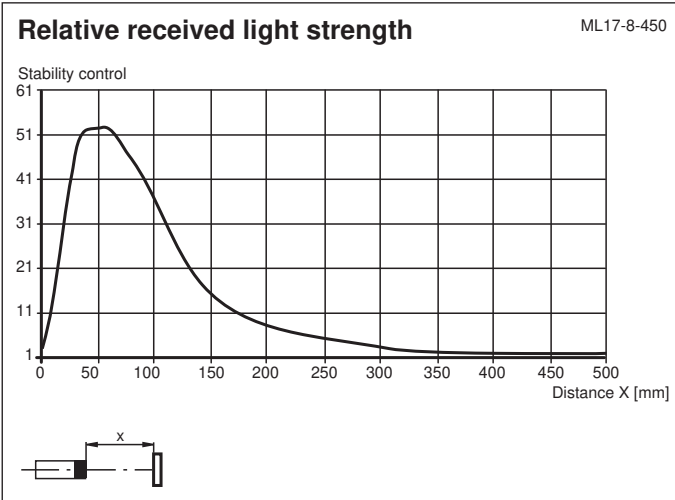
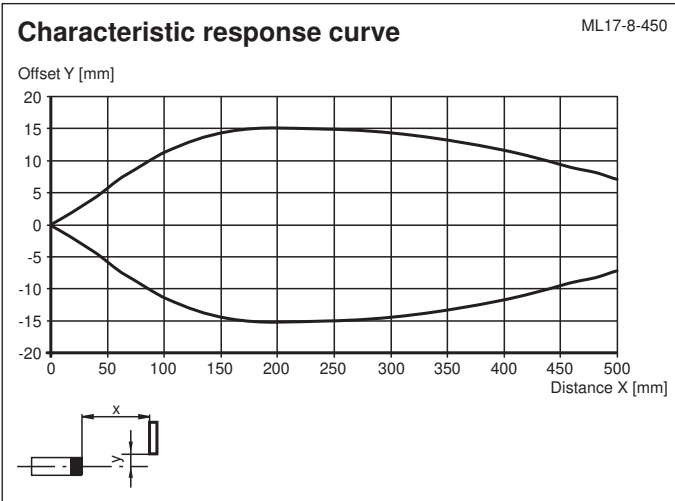


## Assembly



1	Signal display	yellow
2	Operating display	green
3	Sensitivity adjustment	

## Characteristic Curve



## Accessories

	<b>OMH-ML17</b>	Mounting bracket
	<b>OMH-ML17-1</b>	Mounting bracket

Release date: 2023-03-28 Date of issue: 2023-03-28 Filename: 70136759\_eng.pdf