



Retroreflective sensor

RL28-55-LAS/76a/82b/105/110

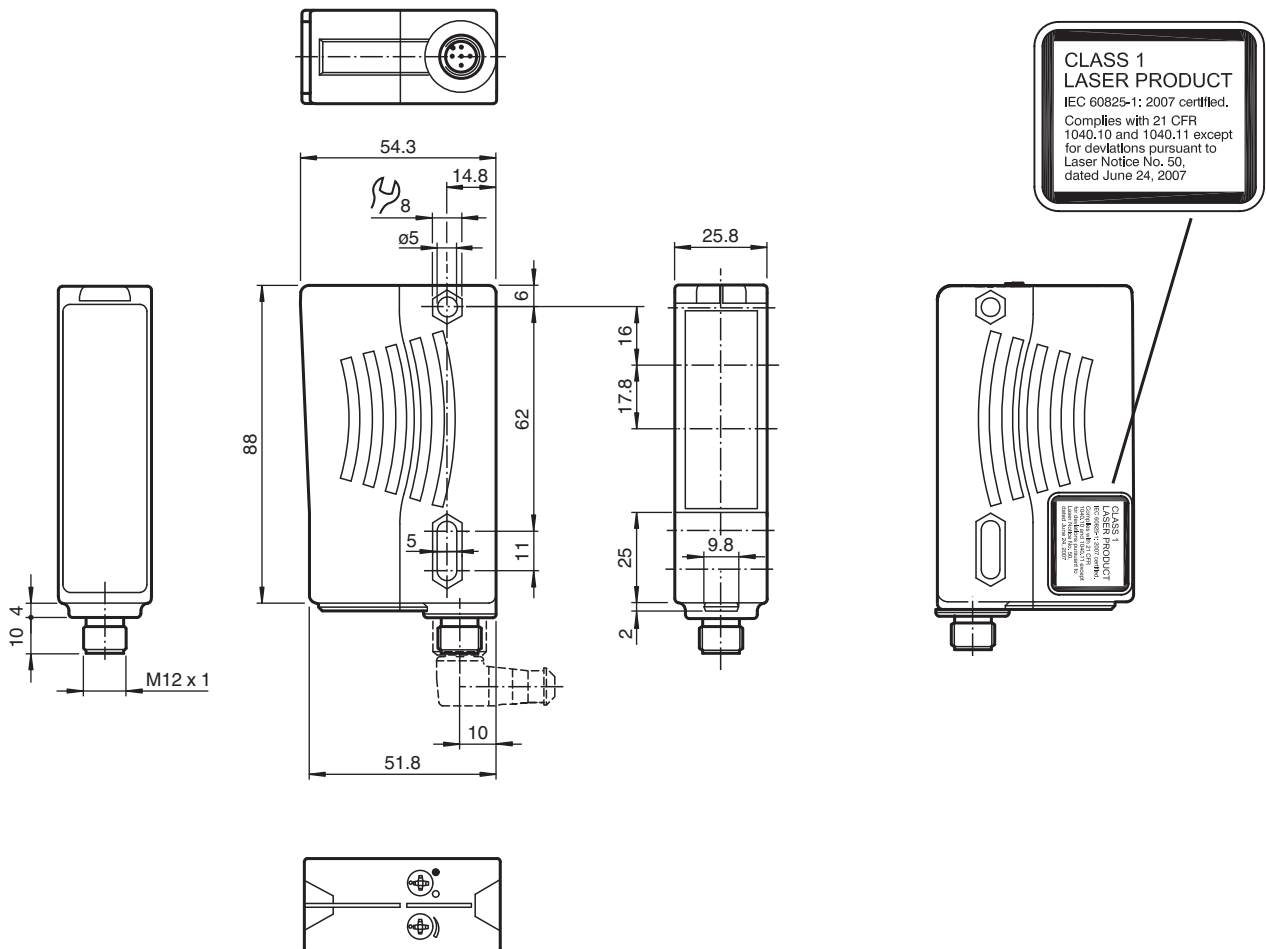


- Visible red light, pulsed LASER light
- Ultra bright LEDs for power on, weak signal indication and switching state
- Powerful push-pull output
- Test input
- Not sensitive to ambient light, even with switched energy saving lamps
- Protection class II
- Waterproof, degree of protection IP67

Retroreflective sensor with polarization filter



Dimensions



Technical Data

General specifications

Effective detection range	0 ... 30 m
Reflector distance	0.3 ... 30 m

Release date: 2022-10-25 Date of issue: 2022-10-25 Filename: 123758_eng.pdf

Refer to "General Notes Relating to Pepperl+Fuchs Product Information".

Pepperl+Fuchs Group
www.pepperl-fuchs.com

USA: +1 330 486 0001
fa-info@us.pepperl-fuchs.com

Germany: +49 621 776 1111
fa-info@de.pepperl-fuchs.com

Singapore: +65 6779 9091
fa-info@sg.pepperl-fuchs.com

PF PEPPERL+FUCHS

Technical Data

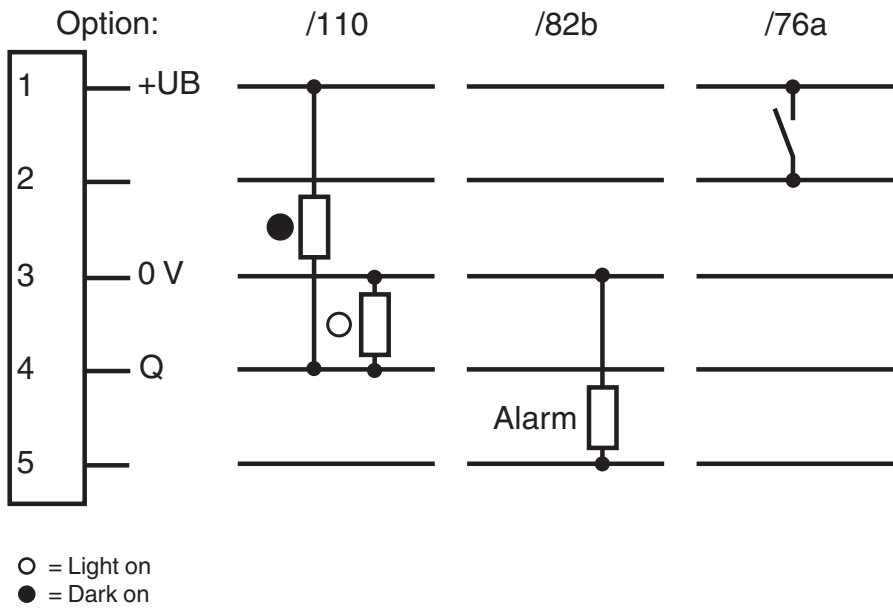
Threshold detection range		42 m
Reference target		MH82 reflector
Light source		laser diode
Light type		modulated visible red light
Polarization filter		yes
Laser nominal ratings		
Note		LASER LIGHT , DO NOT STARE INTO BEAM
Laser class		1
Wave length		650 nm
Beam divergence		< 1.5 mrad
Pulse length		approx. 4.5 µs
Repetition rate		approx. 6 kHz ... 20 kHz
max. pulse energy		4 nJ
Diameter of the light spot		approx. 45 mm at 30 m
Opening angle		Emitter: < 0.1 ° Receiver: < 2 °
Ambient light limit		50000 Lux
Functional safety related parameters		
MTTF _d		560 a
Mission Time (T _M)		20 a
Diagnostic Coverage (DC)		60 %
Indicators/operating means		
Operation indicator		LED green
Function indicator		2 LEDs yellow, light up when light beam is free, flash when falling short of the stability control, off when light beam is interrupted
Control elements		sensitivity adjustment (Adjustment to < 25% of the effective operating range) , Light-on/dark-on changeover switch
Electrical specifications		
Operating voltage	U _B	10 ... 30 V DC
Ripple		max. 10 %
No-load supply current	I ₀	≤ 35 mA
Protection class		II, rated insulation voltage ≤ 250 V AC with pollution degree 1-2 according to IEC 60664-1
Input		
Test input		emitter deactivation with +U _B
Output		
Stability alarm output		1 PNP, inactive when falling short of the stability control for 10;s immediately inactive if 4 light beam interruptions take place
Switching type		light/dark on switchable
Signal output		1 push-pull (4 in 1) output, short-circuit protected, reverse polarity protected
Switching voltage		max. 30 V DC
Switching current		max. 100 mA
Voltage drop	U _d	≤ 2.5 V DC
Switching frequency	f	1000 Hz
Response time		0.5 ms
Conformity		
Product standard		EN 60947-5-2
Laser safety		EN 60825-1
Approvals and certificates		
EAC conformity		TR CU 020/2011
Protection class		II, rated voltage ≤ 250 V AC with pollution degree 1-2 according to IEC 60664-1
UL approval		E87056 , cULus Listed , class 2 power supply , type rating 1
FDA approval		IEC 60825-1:2007 Complies with 21 CFR 1040.10 and 1040.11 except for deviations pursuant to Laser Notice No. 50, dated June 24, 2007
Ambient conditions		
Ambient temperature		-10 ... 50 °C (14 ... 122 °F)

Release date: 2022-10-25 Date of issue: 2022-10-25 Filename: 123758_eng.pdf

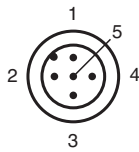
Technical Data

Storage temperature	-40 ... 60 °C (-40 ... 140 °F)
Mechanical specifications	
Housing width	25.8 mm
Housing height	88 mm
Housing depth	54.3 mm
Degree of protection	IP67
Connection	5-pin, M12 x 1 plastic connector
Material	
Housing	Plastic ABS
Optical face	Plastic pane
Mass	80 g

Connection Assignment



Connection Assignment



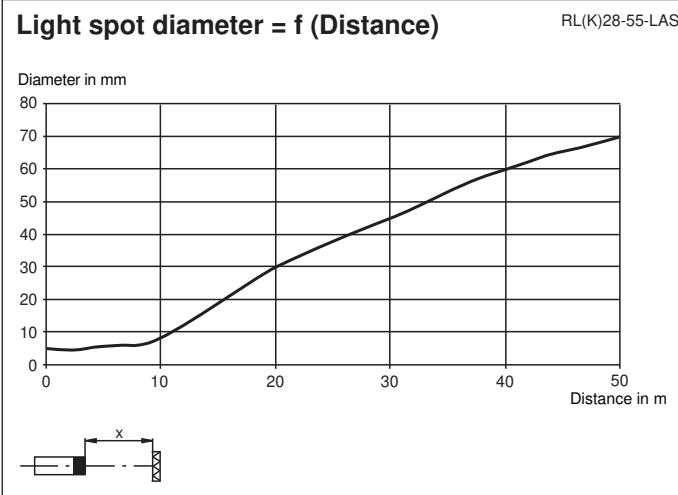
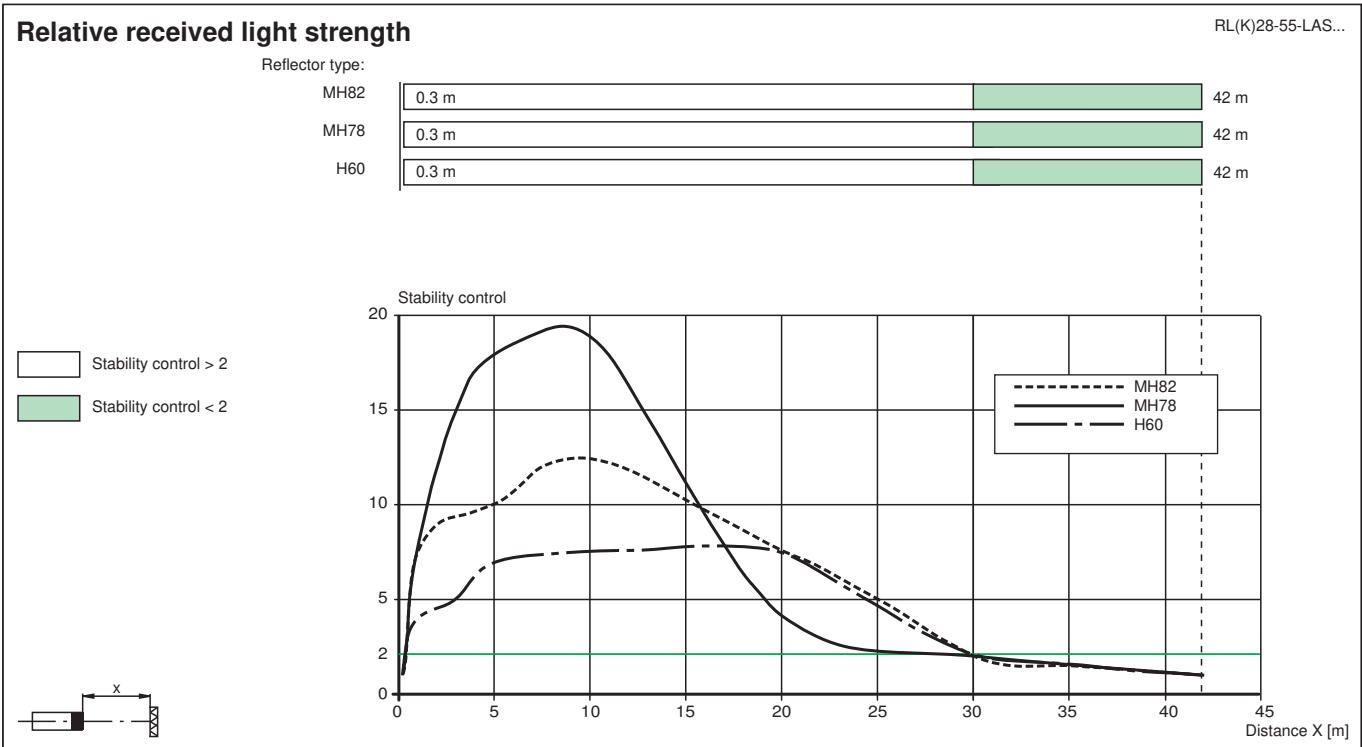
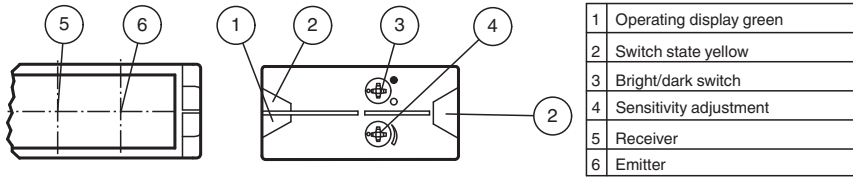
Wire colors in accordance with EN 60947-5-2

- 1 — BN (brown)
- 2 — WH (white)
- 3 — BU (blue)
- 4 — BK (black)
- 5 — GY (gray)

Release date: 2022-10-25 Date of issue: 2022-10-25 Filename: 123758_eng.pdf

Refer to "General Notes Relating to Pepperl+Fuchs Product Information".

Assembly






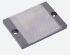


Safety Information

Laser Class 1 Information
 The irradiation can lead to irritation especially in a dark environment. Do not point at people!
 Maintenance and repairs should only be carried out by authorized service personnel!
 Attach the device so that the warning is clearly visible and readable.
 Caution – Use of controls or adjustments or performance of procedures other than those specified herein may result in hazardous radiation exposure.

Release date: 2022-10-25 Date of issue: 2022-10-25 Filename: 123758_eng.pdf

Accessories

	OMH-05	Mounting aid for round steel \varnothing 12 mm or sheet 1.5 mm ... 3 mm
	OMH-21	Mounting bracket: mounting aid for sensors in the RL* series
	OMH-22	Mounting aid for RL* series
	OMH-RLK29-HW	Mounting bracket for rear wall mounting
	OMH-RL28-C	Weld slag cover model
	REF-MH82	Reflector with Micro-structure, rectangular 82 mm x 60 mm, mounting holes