

# Barcode scanner

## TC1200-1100

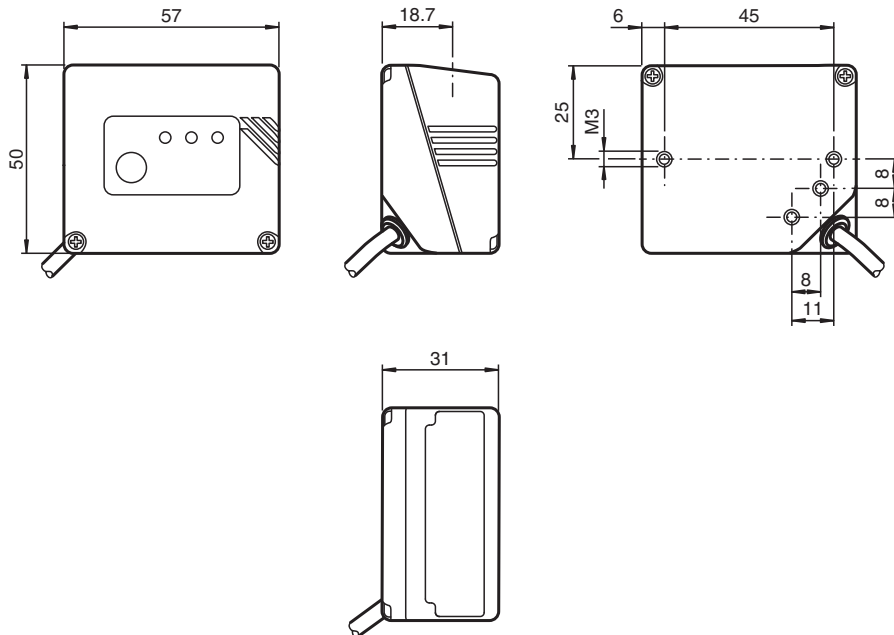


- CCD line scanner
- Small, compact design
- Programmable via Windows software

CCD barcode scanner



### Dimensions



### Technical Data

#### General specifications

Light type	4 Red LED, 630 nm
Symbologies	EAN/UPC, Code 39, Code 32, Code 128, GS1-128, ISBT 128, Interleaved and Standard 2 of 5, Codabar, ABC Codabar, GS1 Databar (Omnidirectional, Limited, Expanded), Code 93, Code 11, MSI
Scan rate	320 s <sup>-1</sup>

Release date: 2022-11-28 Date of issue: 2022-11-28 Filename: 239067\_eng.pdf

Refer to "General Notes Relating to Pepperl+Fuchs Product Information".

Pepperl+Fuchs Group  
www.pepperl-fuchs.com

USA: +1 330 486 0001  
fa-info@us.pepperl-fuchs.com

Germany: +49 621 776 1111  
fa-info@de.pepperl-fuchs.com

Singapore: +65 6779 9091  
fa-info@sg.pepperl-fuchs.com

PEPPERL+FUCHS

## Technical Data

Read distance		50 ... 430 mm
Optical face		frontal
Resolution		0.1 mm ( 4 mils )
<b>Nominal ratings</b>		
Camera		
Type		CCD
Number of pixels		3648 pixels
<b>Indicators/operating means</b>		
Operation indicator		Power on
Function indicator		LED signals the successful read-in of a barcode (GOOD READ) LED Trigger
Control elements		Button for manual triggering
<b>Electrical specifications</b>		
Operating voltage	$U_B$	5 V $\pm$ 5 %
Operating current	$I_B$	350 mA
Power consumption	$P_0$	1.75 W
<b>Interface</b>		
Interface type		Type A USB
<b>Input</b>		
Input type		Optocoupler
Number/Type		1 trigger input (Internal or external power supply)
<b>Output</b>		
Number/Type		2 electronic outputs controllable per software
Switching voltage		max. 30 V DC
Switching current		max. 30 mA
<b>Ambient conditions</b>		
Ambient temperature		0 ... 50 °C (32 ... 122 °F)
Storage temperature		-20 ... 70 °C (-4 ... 158 °F)
Relative humidity		90 % , noncondensing
Shock resistance		IEC 68-2-27 Test EA 30G; 11 ms; 3 impacts on each axis
Vibration resistance		IEC 68-2-6 Test FC 1.5 mm ; 10 ... 55 Hz ; 2 hours on each axis
<b>Mechanical specifications</b>		
Degree of protection		IP64
Connection		fixed cable with Type A USB
Material		
Housing		Plastic ABS
Cable		
Length	L	100 cm
Mass		105 g

Release date: 2022-11-28 Date of issue: 2022-11-28 Filename: 239067\_eng.pdf

Refer to "General Notes Relating to Pepperl+Fuchs Product Information".

Pepperl+Fuchs Group  
www.pepperl-fuchs.com

USA: +1 330 486 0001  
fa-info@us.pepperl-fuchs.com

Germany: +49 621 776 1111  
fa-info@de.pepperl-fuchs.com

Singapore: +65 6779 9091  
fa-info@sg.pepperl-fuchs.com

 **PEPPERL+FUCHS**

## Connection

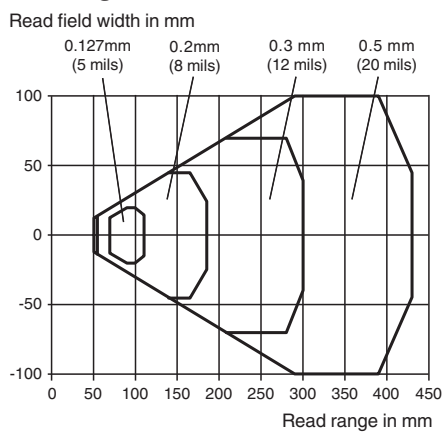
Pin	Name	Function
1	VCC+	+ 5 V DC
2	DATA -	USB data
3	DATA +	USB data
4	GND	Ground

## Connection Assignment



## Characteristic Curve

### Reading characteristics



Release date: 2022-11-28 Date of issue: 2022-11-28 Filename: 239067\_eng.pdf

Refer to "General Notes Relating to Pepperl+Fuchs Product Information".

Pepperl+Fuchs Group  
www.pepperl-fuchs.com

USA: +1 330 486 0001  
fa-info@us.pepperl-fuchs.com

Germany: +49 621 776 1111  
fa-info@de.pepperl-fuchs.com

Singapore: +65 6779 9091  
fa-info@sg.pepperl-fuchs.com

**PF** PEPPERL+FUCHS