

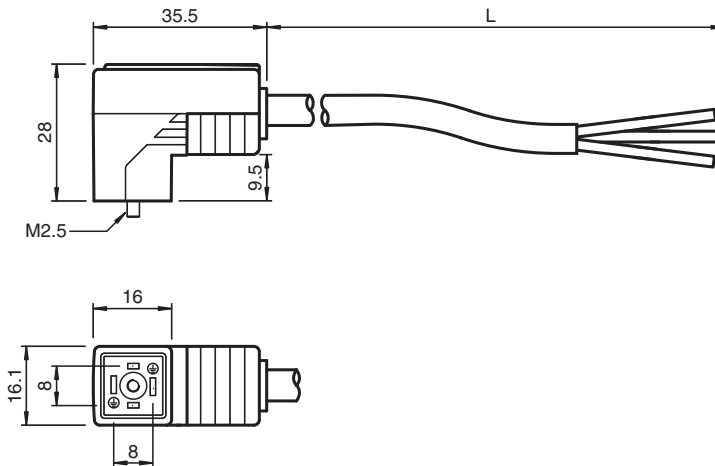
Valve Connector Cordset VMC-2+P-5M-PUR

- Valve connector according EN 175301-803 A/ISO 4400
- Moulded seal
- Suitable for drag chains and abrasion resistant
- freely selectable cable models due to bridged protective earth
- Immunity to vibration, with mechanical latching

Valve connector, Form C, 2+PE, PUR cable



Dimensions



Technical Data

General specifications			
Connector 1			
Connection		Valve connector DIN	
Style		angled	
Locking		screw connection	
Number of pins		2 + PE	
Connector 2			
Connection		cable end	
Electrical specifications			
Operating voltage	U_B	max. 230 V AC/DC	
Operating current	I_B	max. 6 A	
Conformity			
Degree of protection		EN 60529	
Plug connection		Valve Connector Cordset : DIN EN 175301-803	
Flammability		DIN VDE 0482 , DIN EN 50265-2-1	
Halogen-free		DIN VDE 0472-815	
Ambient conditions			

Release date: 2023-09-04 Date of issue: 2023-09-04 Filename: 456850_eng.pdf

Refer to "General Notes Relating to Pepperl+Fuchs Product Information".

Pepperl+Fuchs Group
www.pepperl-fuchs.com

USA: +1 330 486 0001
fa-info@us.pepperl-fuchs.com

Germany: +49 621 776 1111
fa-info@de.pepperl-fuchs.com

Singapore: +65 6779 9091
fa-info@sg.pepperl-fuchs.com

PF PEPPERL+FUCHS

Technical Data

Ambient temperature		
Plug connector		-20 ... 85 °C (-4 ... 185 °F)
Cable, fixed		-40 ... 80 °C (-40 ... 176 °F)
Cable, flexing		-20 ... 80 °C (-4 ... 176 °F)
Pollution degree		3
Mechanical specifications		
Plug connector		
Tightening torque		0.6 Nm
Tool installation		screw M2.5 x 27.5
Degree of protection		IP65/IP67
Cable		
according to IEC/EN 60228 (DIN VDE 0295) class 5		
Sheath diameter		4.5 mm
Bending radius		> 50 mm > 22.5 mm, fixed
Sheath color		dark grey (RAL 7021)
Number of cores		3
Core cross section		0.5 mm ²
Cores color		Core 1: black 1 Core 2: black 2 Core 3: green/yellow
Core construction		28 x 0.15 mm Ø
Length	L	5 m
Cable code		Li 9Y 11Y 3 x 0,50
Drag chain suitability		
Drag chain cycles		min. 15000000
Motion velocity		max. 5 m/s
Traverse distance		0.9 m
Acceleration		max. 30 m/s ²
Material		
Halogen-free		yes
Plug connector		
Body		TPU, black
Seal		TPU , molded
Contact surface		Sn
Flammability		V-0
Cable		
Sheathing		PUR
Core insulation		PP
UV resistance		yes
Oil resistance		good
Flammability		V-0

Connection

